

# HYVA PTO'S



PNEUMATICALLY OPERATED POWER TAKE-OFF

Hyva

Partno. PTO:

021215010/021215011

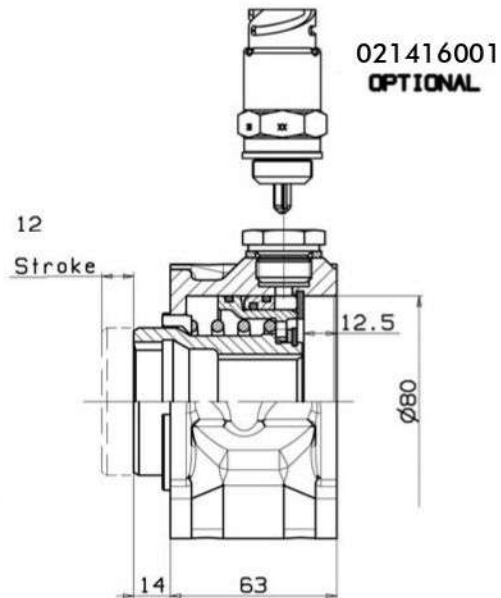
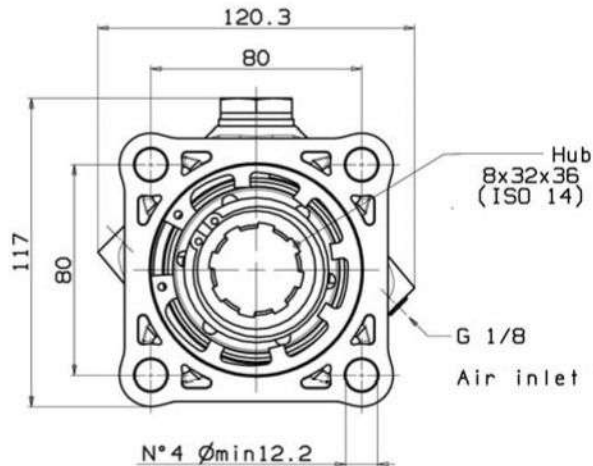
Type Gearbox:

VOLVO-EATON-SCANIA

Page 1 / 2

MERCEDES-ZF

021215010



## Specifications

Type Gearbox	VOLVO - EATON - ZF MERCEDES - SCANIA
PTO ratio@1000 eng. rpm	SEE INDEX
Max torque	1000 Nm (1)
Mounting side	Rear
Output	Rear
Rotation	Cw

(1) The maximum allowed torque is referred to the PTO only. It is essential to watch the PTO/gearbox application book to get the maximum torque limit of every single transmission.

## Mounting kit

Part no.	SEE INDEX
----------	-----------



Този продукт се предлага от:



HYDRAULIC PARTS & EQUIPMENT

Гр. София, ул. Челопешко шосе 10-12

0886 441 442 / 0898 447 449

www.hydraulicstore.eu

# HYVA PTO'S



PNEUMATICALLY OPERATED POWER TAKE-OFF

Hyva

Partno. PTO:

021215010/021215011

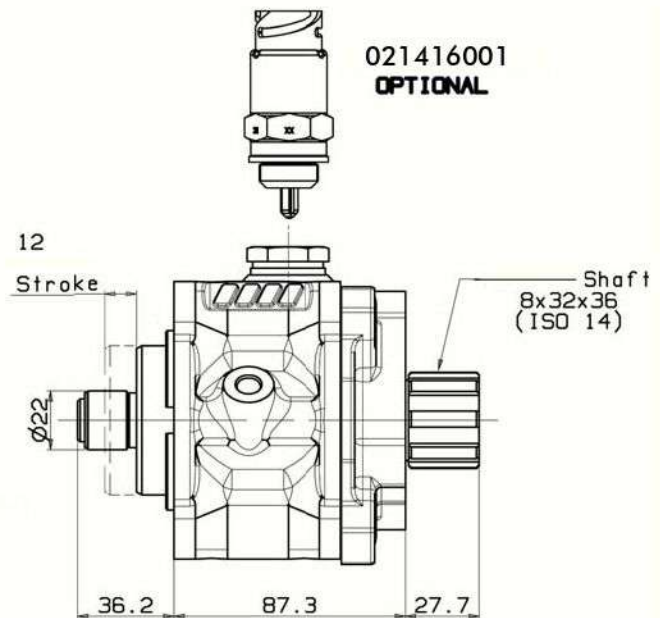
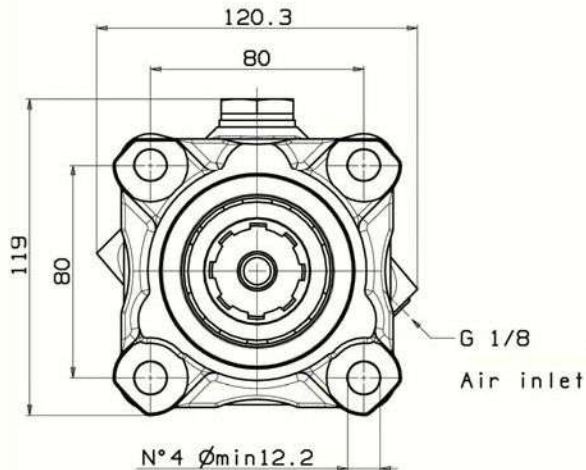
Type Gearbox:

VOLVO-EATON-SCANIA

Page 2 / 2

MERCEDES-ZF

021215011



## Specifications

Type Gearbox	VOLVO - EATON - ZF MERCEDES - SCANIA
PTO ratio@1000 eng. rpm	SEE INDEX
Max torque	1000 Nm (1)
Mounting side	Rear
Output	Rear
Rotation	Cw

(1) The maximum allowed torque is referred to the PTO only. It is essential to watch the PTO/gearbox application book to get the maximum torque limit of every single transmission.

## Mounting kit

Part no.	SEE INDEX
----------	-----------



Този продукт се предлага от:



HYDRAULIC PARTS & EQUIPMENT

Гр. София, ул. Челопешко шосе 10-12

0886 441 442 / 0898 447 449

www.hydraulicstore.eu