

3D model is available on request

Specifications

Support configuration	Tank		
	14015050	14015070	
Part number	14015050	14015070	
Air breather, strap, strap rubber and support rubber included with the tank	YES	YES	
Material	Steel	Aluminium	
Weight of tank	59	21	kg
Gross volume	240	240	litres
Working volume 1	198	198	litres
Working volume 2	179	179	litres
Working volume 3	159	159	litres
A: Suction port*	1.5"	1.5"	BSP
W: Width	280	280	mm
H: Height	700	700	mm
L: Length	1336	1336	mm
B: Outer suction port distance	903	903	mm
MW: Mounting width Pos	770	770	mm
WS: Width of support	330	330	mm

* The suction port (A) is closed with temporary plastic plug.

** Air breather is in the tank packaging and the Return filter must be ordered separately.

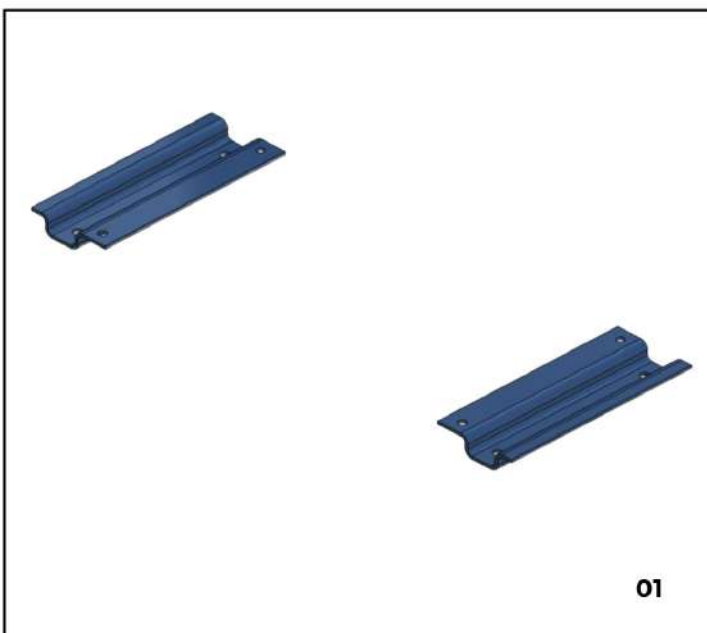
Този продукт се предлага от:



Гр. София, ул. Челопешко шосе 10-12
0886 441 442 / 0898 447 449
www.hydraulicstore.eu

HYDRAULIC PARTS & EQUIPMENT

Mounting kit



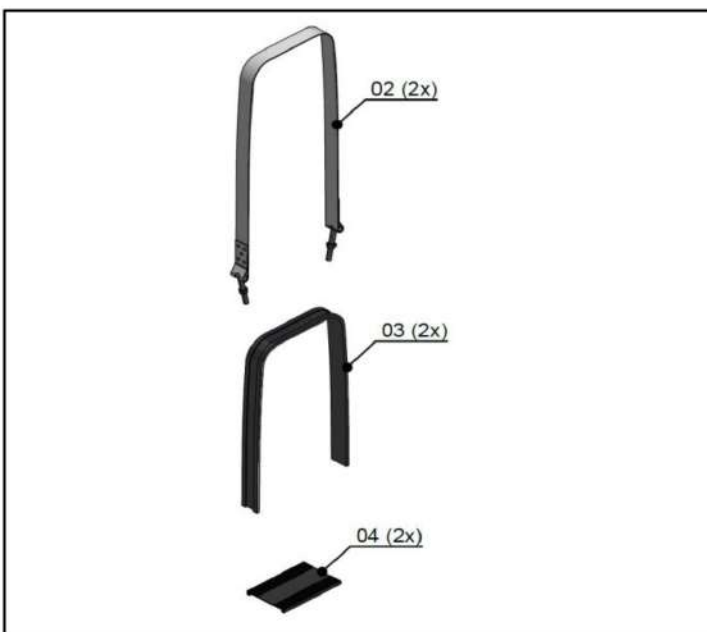
01

Full kit

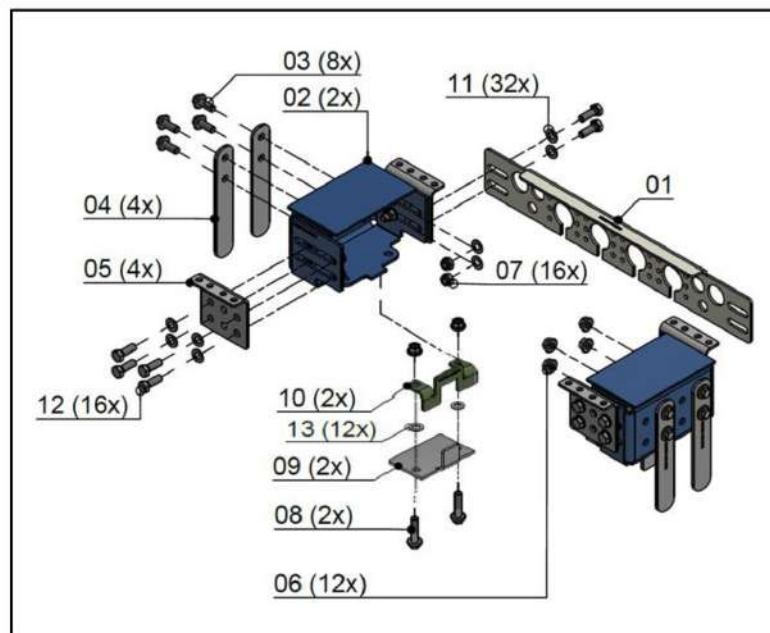
No.	Part no.	Description
01	14221604	RM Tank standard support kit*

* Full kit = 2 x (support brackets)

Spare parts



No.	Part no.	Description	Weight (kg)
02	14020351	Strap	1.0
03	14020332	Strap rubber	0.2
04	14221602	Support rubber	0.1



Full kit

No.	Part no.	Description
01	14221608	RM Tank easy mounting kit*

* Full kit = All below mentioned parts

This mounting kit is applicable for chassis width between 760-945mm, including tapered chassis of 4 degrees.

Spare parts

No.	Part no.	Description	Weight (kg)
01	14221611	Multifunction strip	3.0
02	14221609	Main bracket weld assembly	6.1
03	DIN 6921	Hexagon flange bolt M14 x 35	-
04	14221610	Chassis mounting plate	0.5
05	14221612	L mounting plate	0.7
06	DIN 6923	Hexagon flange nut M14	-
07	DIN 985	Hex. Locking nut M14	-
08	DIN 6921	Hexagon flange bolt M14 x 55	-
09	14221613	Clamp bottom plate	0.8
10	14221614	Clamp top plate	0.4
11	DIN 125A	Plain washer M14	-
12	DIN 933	Hexagon head bolt M14 x 40	-
13	DIN 7349	Plain washer M14 x 6mm	-

Този продукт се предлага от:



HYDRAULIC PARTS & EQUIPMENT

Гр. София, ул. Челопешко шосе 10-12
0886 441 442 / 0898 447 449
www.hydraulicstore.eu

Air Breather



No.	Part no.	Description	Weight [kg]
14	08102116	Air breather**	0.4

**Air breather included with the tank

Return Filters



15



16

No.	Part no.	Description	Weight [kg]
15	14780353	Return filter housing type*	2.4
16	14895925	Return filter plate type*	2.1

*Attention! : Return line filters are not in the mounting kit. To be ordered separately.

Adaptor



17

No.	Part no.	Description	Qty
17	01317987	Adaptor kit 90 for return filter-1" BSPOTC	1

Mounting options



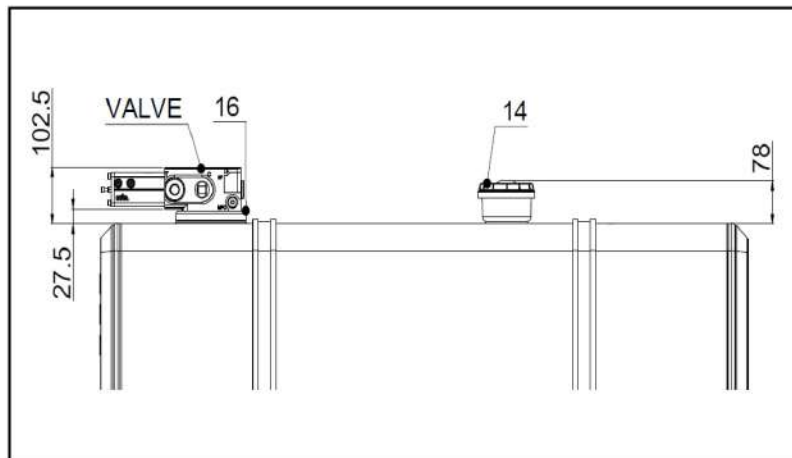
Part no.	Description	Qty
incl. in adaptor kit	Adaptor-90-elbow-1" BSPOTC	1
incl. in adaptor kit	Bolt HSHC M8x16x1.25 DIN 912 ZP	2
incl. in adaptor kit	O-Ring 34.60x2.62	1

Този продукт се предлага от:

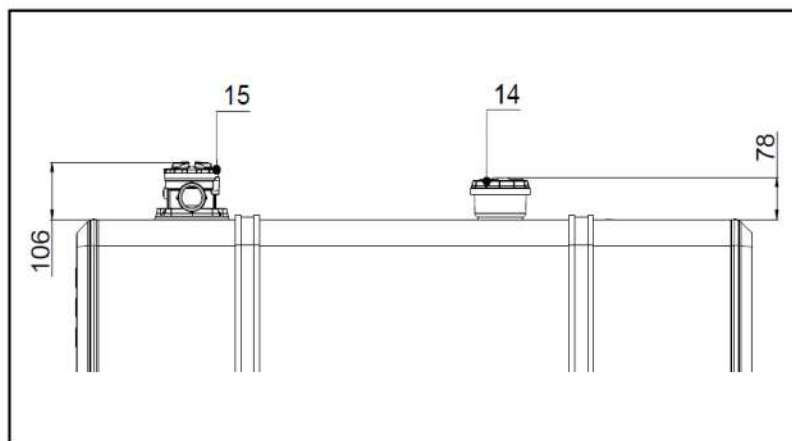
HYDRAULIC STORE[®]
HYDRAULIC PARTS & EQUIPMENT

Гр. София, ул. Чеповешко шосе 10-12
0886 441 442 / 0898 447 449
www.hydraulicstore.eu

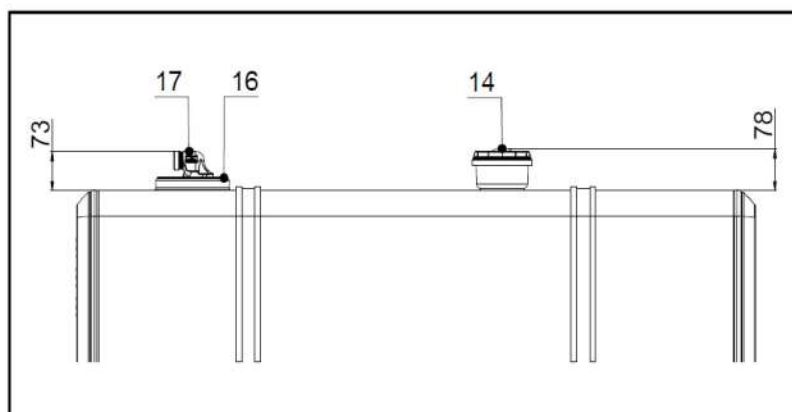
Valve mounting options



Valve mounted on tank



Valve mounted on chassis or cylinder (SAE)



Valve mounted on chassis or cylinder
with Return line Plate version

Този продукт се предлага от:



Гр. София, ул. Челопешко шосе 10-12
0886 441 442 / 0898 447 449
www.hydraulicstore.eu

HYDRAULIC PARTS & EQUIPMENT