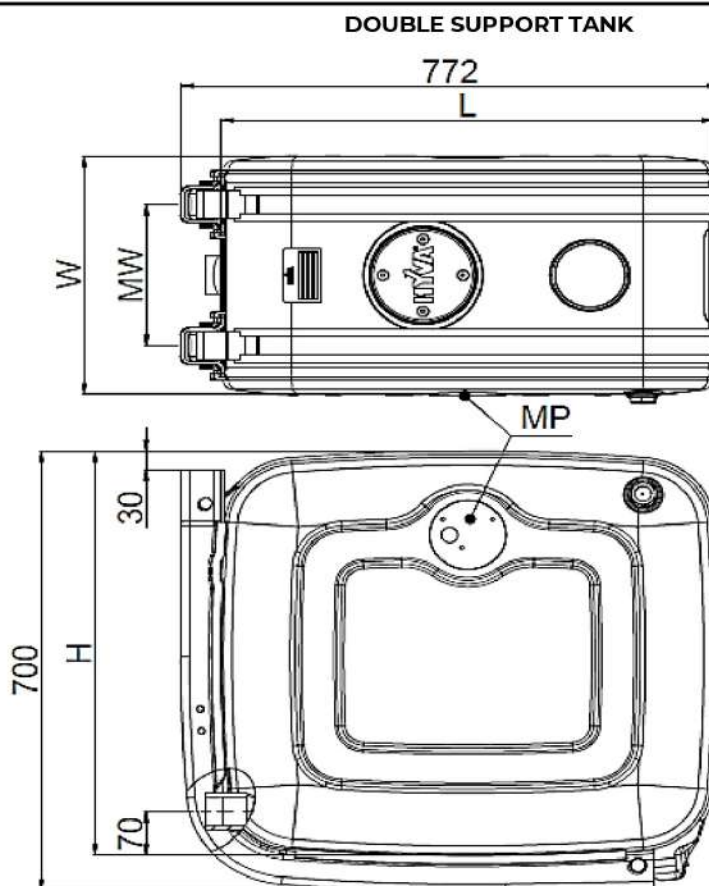


Alpha standard



MP: Mounting plate for valve mounting with 3/4 "threaded port
3D model is available on request

Specifications

Support configuration	Double support				
Part number*	14017254	14017258	14017262	14017266	
Support with rubber, strap with rubber, mounting kit & air breather included	14020160 - 1 pre-drilled hole				1H
	14020161 - 3 pre-drilled holes				3H
L : Length of tank	706	706	706	706	mm
H : Height of tank	636	636	636	636	mm
W : Width of tank	380	440	495	580	mm
MW : Mounting Width min / max	195 / 225	200 / 275	220 / 330	250 / 415	mm
Material	Steel	Steel	Steel	Steel	
Gross volume	155	179	201	236	litres
Working volume	130	150	169	200	litres
Tank body weight	36.4	36	38.1	41.3	kg
A : Suction port**	1.5"	1.5"	1.5"	1.5"	BSP

The mounting plate (MP) port is closed with a temporary plastic plug.

*Part number with : tank body + spy eye + return line filter cover.

**Suction port A is closed with a temporary plug.

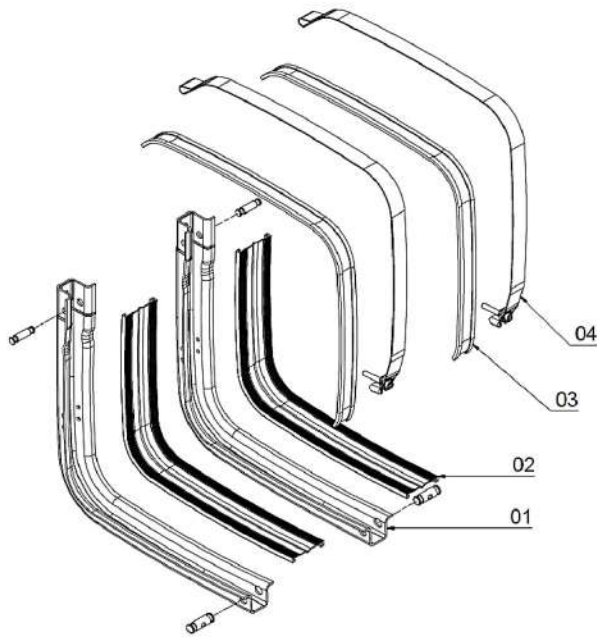
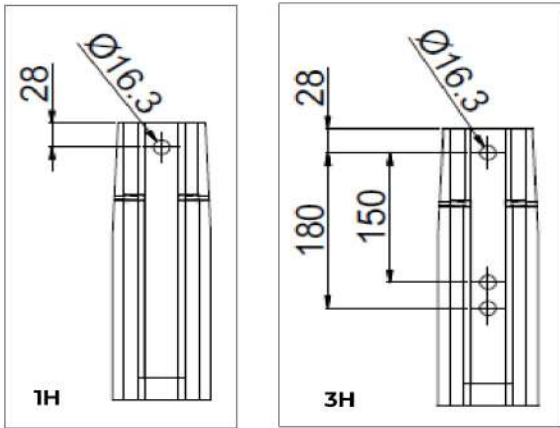
Technical notes

Този продукт се предлага от:



Гр. София, ул. Челопешко шосе 10-12
0886 441 442 / 0898 447 449
www.hydraulicstore.eu

HYDRAULIC PARTS & EQUIPMENT

Supports, straps, rubbers & mounting kits
Detail support with one hole and support with three holes

Double support
Full kits

Part no.	Description	Weight [kg]
14020160	Full kit for support 1H: with one pre-drilled hole**	32.8
14020161	Full kit for support 3H: with three pre-drilled holes**	32.2

**Full kit = 2 x support with rubber, strap with rubber, mounting kit & air breather included.

Separate support parts

No.	Part no.	Description	Weight [kg]
01 & 02	14020320	Support with one hole incl. rubber	8.7
01 & 02	14020321	Support with three holes incl. rubber	8.7
02	14020435	Rubber for support	0.4
03 & 04	14020308	Strap with rubber	1.4
03	14020425	Rubber for strap	0.2
n/a	14020327	Mounting kit double support tank: - pin bottom (2x) - pin top (2x) - bolt M12 for strap (2x) - square washer M12 for strap (2x) - rectangular washer (4x)	

Air Breather

05

No.	Part no.	Description	Weight [kg]
05	08102116	Air breather	0.4

Attention! : Air breathers are included with support kit, not included with tank.

For Air breather spec sheet, see DO-E 08102116.

Този продукт се предлага от:



HYDRAULIC PARTS & EQUIPMENT

Гр. София, ул. Челопешко шосе 10-12
0886 441 442 / 0898 447 449
www.hydraulicstore.eu

Accessories



06



07



08



09

No.	Part no.	Description	Weight [kg]
06	08102121*	Plastic spy eye 1" BSP (with gasket)*	0.041
07	14780981**	Ball valve 1 1/2" BSP**	1.2
08	14020509	Strengthening ring SM tank RF kit	0.3
09	08102104	Cover Plate	0.09

*Attention! : Spy eye included in the Tank body.

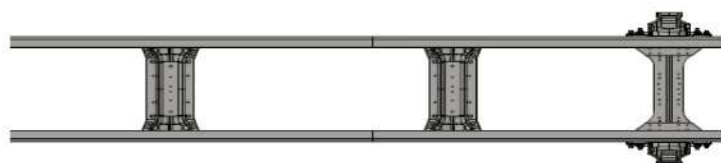
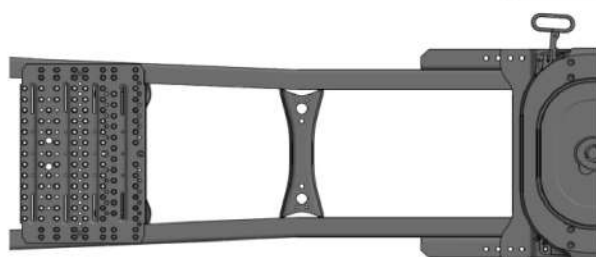
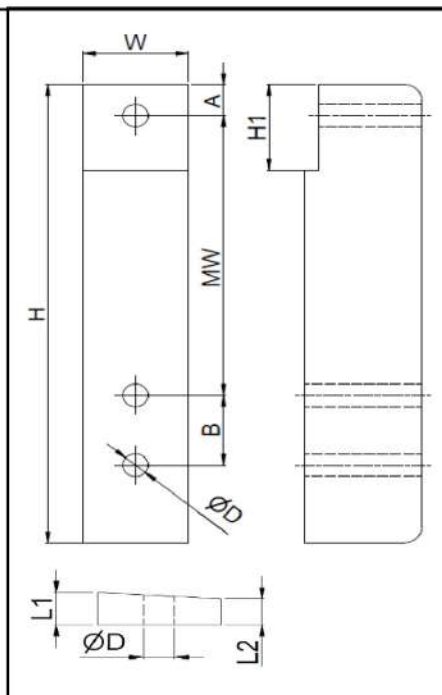
**For more suction component see LPADAP01.

Този продукт се предлага от:



Гр. София, ул. Челопешко шосе 10-12
0886 441 442 / 0898 447 449
www.hydraulicstore.eu

HYDRAULIC PARTS & EQUIPMENT



10

No.	Part number	Description	TYPE OF CHASSIS	H mm	W mm	L1 mm	L2 mm	ØD mm	H1 mm	MW mm	A mm	B mm
10		Spacer - (Option)	-	-	-	-	-	-	-	-	-	-
a	01040005	Spacer for MERCEDES CHASSIS ANGLE	TAPERED	230	60	20	16	15	-	180	25	-
b	01040003	Spacer for MAN FIFTHWH	TAPERED	295	60	27	19	14.5	55	180	20	-
c	01040006	Spacer for MERCEDES CHASSIS ANGLE	TAPERED	230	60	06	02	16.3	-	180	25	-
d	01040002	Spacer for MAN FIFTHWH	STRAIGHT	295	60	40	40	14.5	55	180	20	-
e	01040004	Spacer for CHASSIS FIFTHWH	STRAIGHT	160	60	08	08	15	-	-	120	-
f	01040007	Spacer for IVECO	STRAIGHT	295	60	67	67	14.5	55	180	20	45

Този продукт се предлага от:


 Гр. София, ул. Челопешко шосе 10-12
 0886 441 442 / 0898 447 449
www.hydraulicstore.eu

HYDRAULIC PARTS & EQUIPMENT

Return filters



11



12

No.	Part no.	Description	Weight [kg]
11	14780352	Return filter housing type 250 L/m*	2.4
12	14895924	Return filter plate type 250 L/m*	2.1

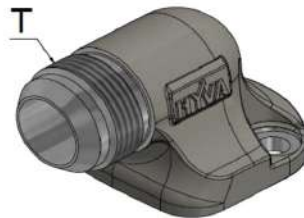
Attention! : Return line filters are not in the mounting kit. To be ordered separately.

For Return line filter spec. sheet, see RFILTE02.

Option adaptor for plate filter



13



14



No.	Part no.	Description	Thread size (T)	Qty
13	01317987	Adaptor kit 90 for return filter	1" BSPOTC	1
14	01317988	Adaptor kit 90 for return filter	1" JICOTC	1

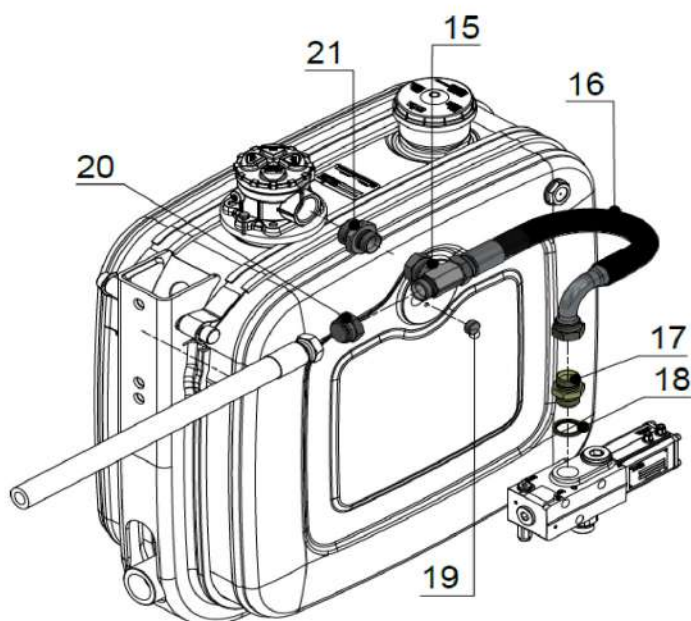
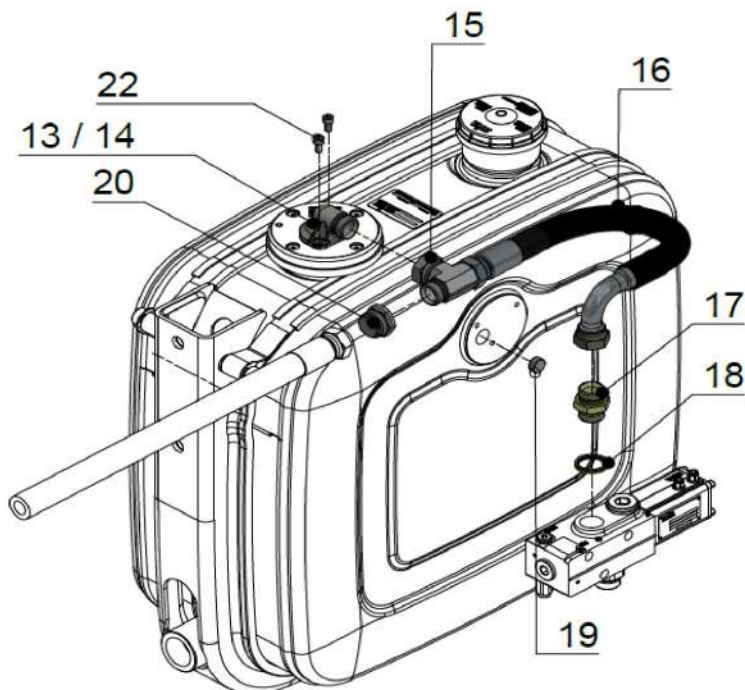
No.	Description	Qty
a	Adaptor-90-elbow-1" BSPOTC	1
	Adaptor-90-elbow-1" JICOTC	
b	Bolt HSHC M8x16x1.25 DIN 912 ZP	2
c	Nord-lock washer M8	2
d	O-Ring 34,60x2,62	1

Note : O-rings, bolts & washers are included with adapter.

Този продукт се предлага от:



HYDRAULIC PARTS & EQUIPMENT

Side mounted valve

**SIDE MOUNTED VALVE
HOUSING VERSION**

**SIDE MOUNTED VALVE
PLATE VERSION**
Full kit

No.	Part no.	Description	Weight [kg]
-	32050351	Full Adapter kit for Side mounted valve*	-

Note: Full kit contains all parts in the table (Nr. 13 & 15-20)

For installation of this kit, see HOS-0002

Separate parts

No.	Part no.	Description	Weight [kg]
15	01318195	Adaptor HP-T-SW-1" BSPIT-BSPOT-BSPOT	0.63
16	14794952	Return hose 1-HP-16-00550-00-90 88 bar + spiral	2.85
17	01317933	Adaptor HP 00 1" BSPTC x 1" BSPOTC	0.22
18	01313848	Bonded seal 1"	0.02
19	14799175	1/2" BSPOT-Allen plug DIN906	0.02
20	14799193	Adaptor HP-00-1" BSPIT-End cap	0.19
21	01222107	ADAPTOR HP-00-1" BSPOTC x 1 1/4" BSPOTC	0.28
22	15013640	Bolt HSHC M8x16x1.25 DIN 912 ZP	0.01

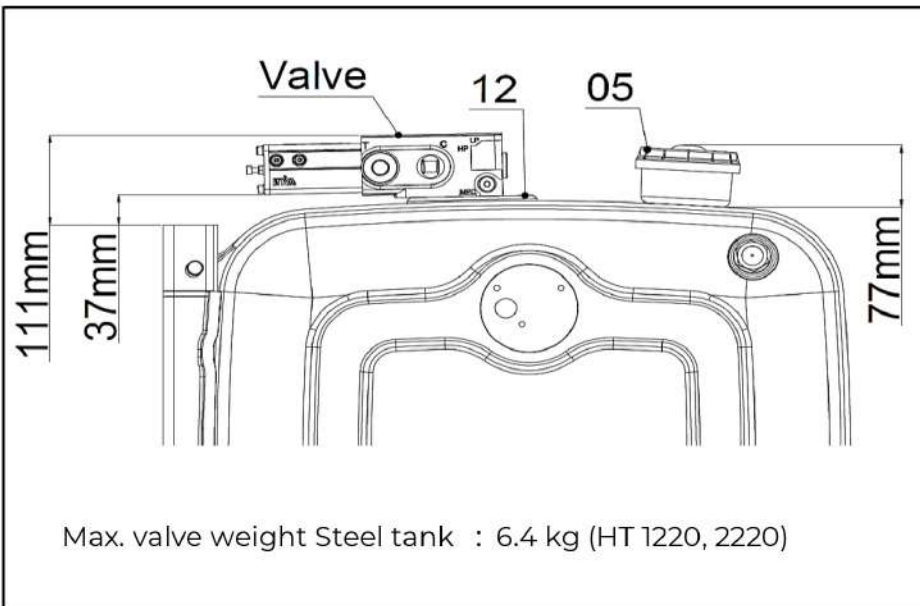
Този продукт се предлага от:



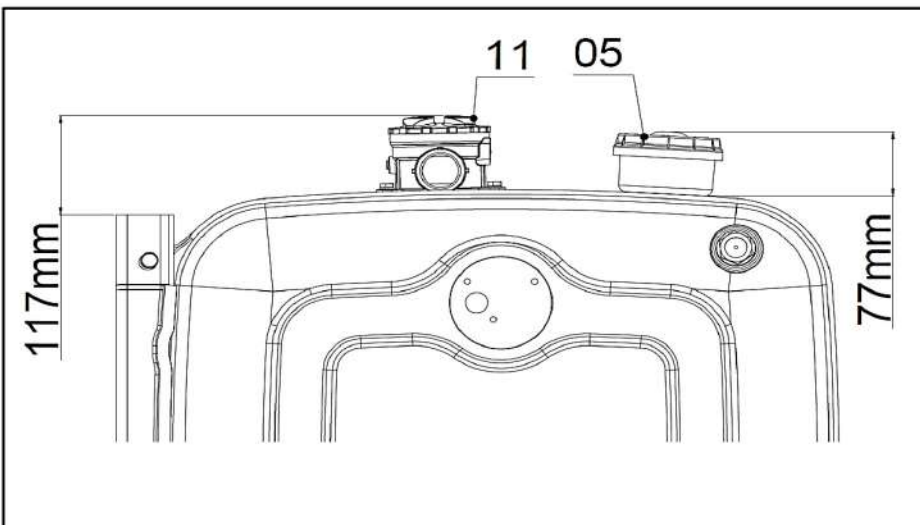
HYDRAULIC PARTS & EQUIPMENT

Гр. София, ул. Чепопешко шосе 10-12
0886 441 442 / 0898 447 449
www.hydraulicstore.eu

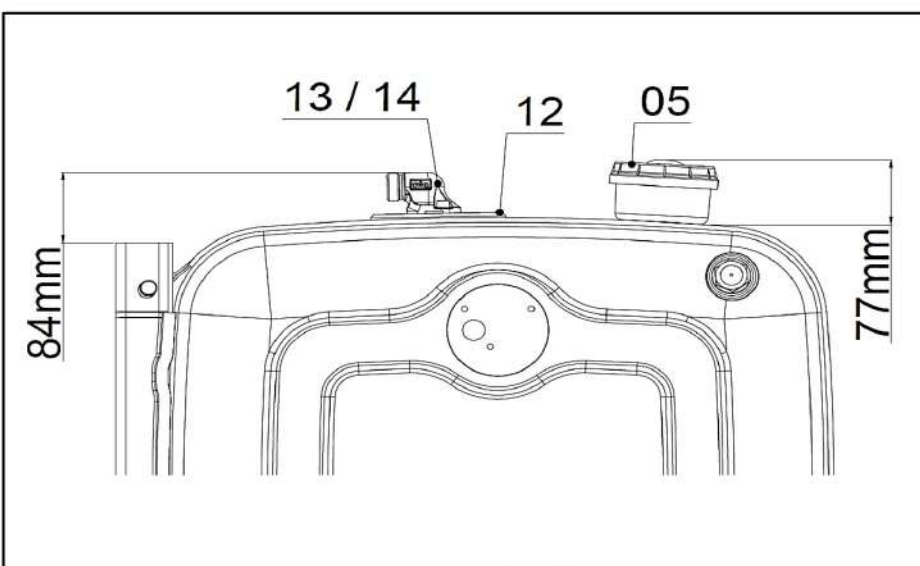
Valve mounting options



Valve mounted on top of tank



Valve mounted on chassis or cylinder (SAE)



Valve mounted on chassis or cylinder with Return line
Plate version

Този продукт се предлага от:



HYDRAULIC PARTS & EQUIPMENT