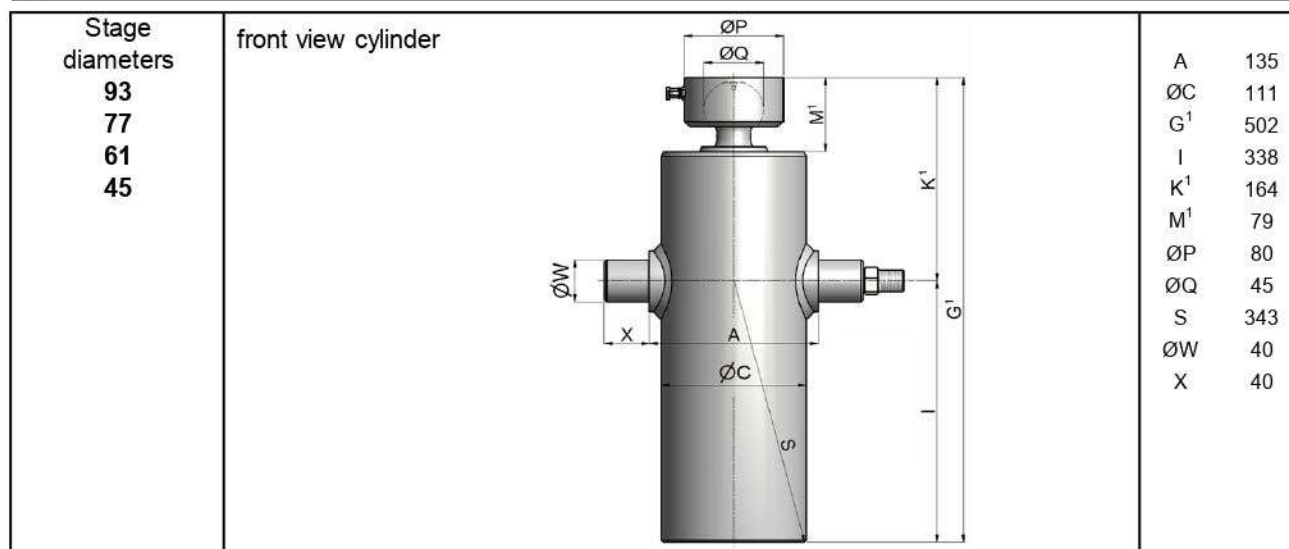


HYVA CYLINDER

714 17 349



type: **ULB 093-4-1240-K164-40-1/2"-HC**
 tipping weight: **4-9 ton**
 page # 1 / 2



¹including 20 mm pull-out [tol. -5; +30 mm]

²cylinder is delivered including oil inlet swivel adapter and cup

specifications

total stroke ¹	1240 mm
dry weight cylinder only	27 kg
total volume	5.7 L
working volume	4.9 L
maximum pressure	190 bar
maximum pump flow	24 l/min
maximum allowable thrust first stage ³	8.0 ton
oil inlet	1/2" BSP

technical notes

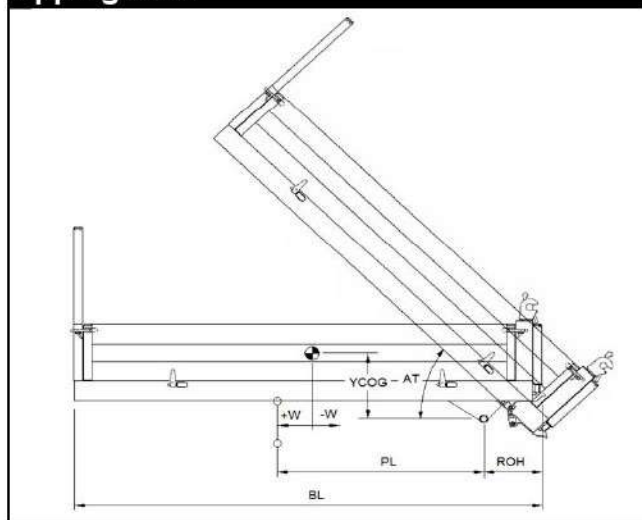
This cylinder is a lifting device only and may not be used as a structural member or be subjected to side load. Side load and/or poor alignment might result in cylinder leakage. Hyva therefore strongly recommends the use of a cradle, even in instances where the cylinder only tips to the rear or to the side.

The cylinder is painted black RAL9005. For suitable hydraulic oils, please refer to data sheet OIL-0011. For details of available brackets and cradles, please refer to data sheet 015BRA07.

Detailed calculations can be made using the HYVA Tipper Program, freely available from tipper.hyva.com.

³The cylinder thrust on the first stage (from the HYVA Tipper Program) must not exceed the maximum allowable (see specifications above)

tipping view



tipping weight

AT	46			deg	52		
PL	1620			mm	1430		
YCOG	400			mm	400		
ROH	400			mm	400		
BL	4490	4040	3670	mm	4070	3660	3330
CYL w.r.t. COG (W)	-220	0	180	mm	-200	0	170
Tipping weight for full stroke of 46°				Tipping weight for full stroke of 52°			
Tipping weight	4	4	5	ton	4	5	5
Tipping weight for second last stage, up to 35°				Tipping weight for 2nd last stage, up to 39°			
Tipping weight	6	8	9	ton	7	8	9

Този продукт се предлага от:



Гр. София, ул. Чelopeшко шосе 10-12
 0886 441 442 / 0898 447 449
www.hydraulicstore.eu

HYDRAULIC PARTS & EQUIPMENT

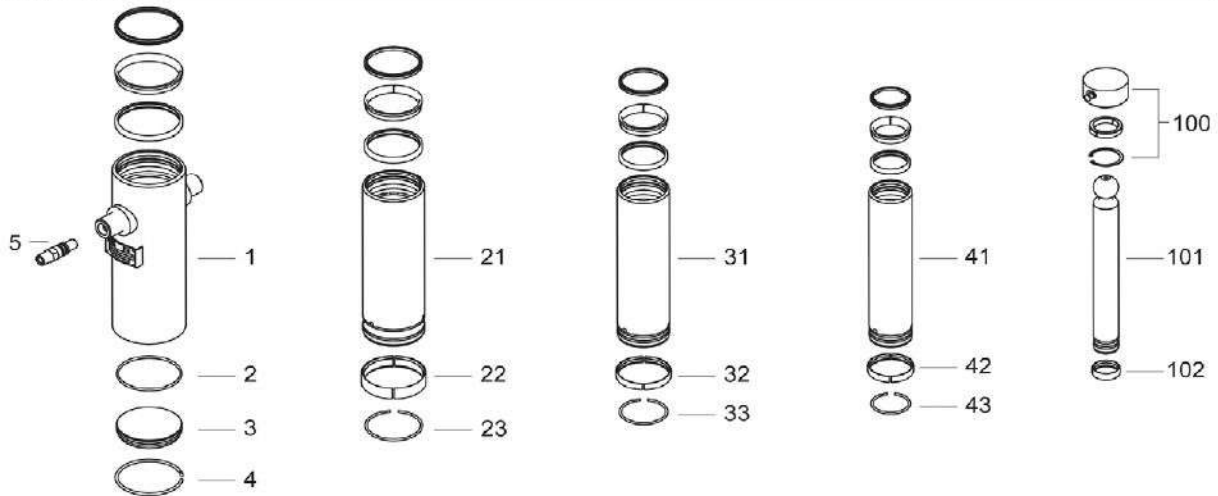
HYVA CYLINDER

714 17 349



type **ULB 093-4-1240-K164-40-1/2"-HC**

page # 2 / 2



Spare part list

Pos	Part no.	Description	Qty.
1	73517500	BASE 110-0423-N0085	1
2	01226672	O-RING 90 X 4 70 SHORE	1
3	73101270 K	BOTTOM PLATE UL 110	1
4	73110110	INNER STOPRING/LIFTRING UL 110	1
5	73103000	OIL INLET ADAPTOR UM 1/2"OT+O-RING	1
21	73617501	STAGE 093-0398-HC	1
22	73111093 K	SLIDER UL 093 (2x1/2)	1
23	73110093 K	INNER STOPRING/LIFTRING UL 093	1
31	73616501	STAGE 077-0398-HC	1
32	73111077 K	SLIDER UL 077 (2x1/2)	1
33	73110077 K	INNER STOPRING/LIFTRING UL 077	1
41	73615501	STAGE 061-0398-HC	1
42	73111061 K	SLIDER UL 061 (2x1/2)	1
43	73110061 K	INNER STOPRING/LIFTRING UL 061	1

Spare part list

Pos	Part no.	Description	Qty.
100	01745100	RETAINER KIT ULB D.45	1
101	73414501	PISTON B 045-0431-HC	1
102	73111045 K	SLIDER UL 045 (2x1/2)	1

Seal kit complete

Part no.	Description
719 06 740K	Complete packset: Consists of all packsets with packset grease and o-ring.

Subject to change without notice, no rights reserved.

DO-E 71417349 / 13-04-12 / RV AC

Този продукт се предлага от:



HYDRAULIC PARTS & EQUIPMENT

Гр. София, ул. Челопешко шосе 10-12
0886 441 442 / 0898 447 449
www.hydraulicstore.eu