

HYVA QUILL SHAFT



QUILL SHAFT

Hyva

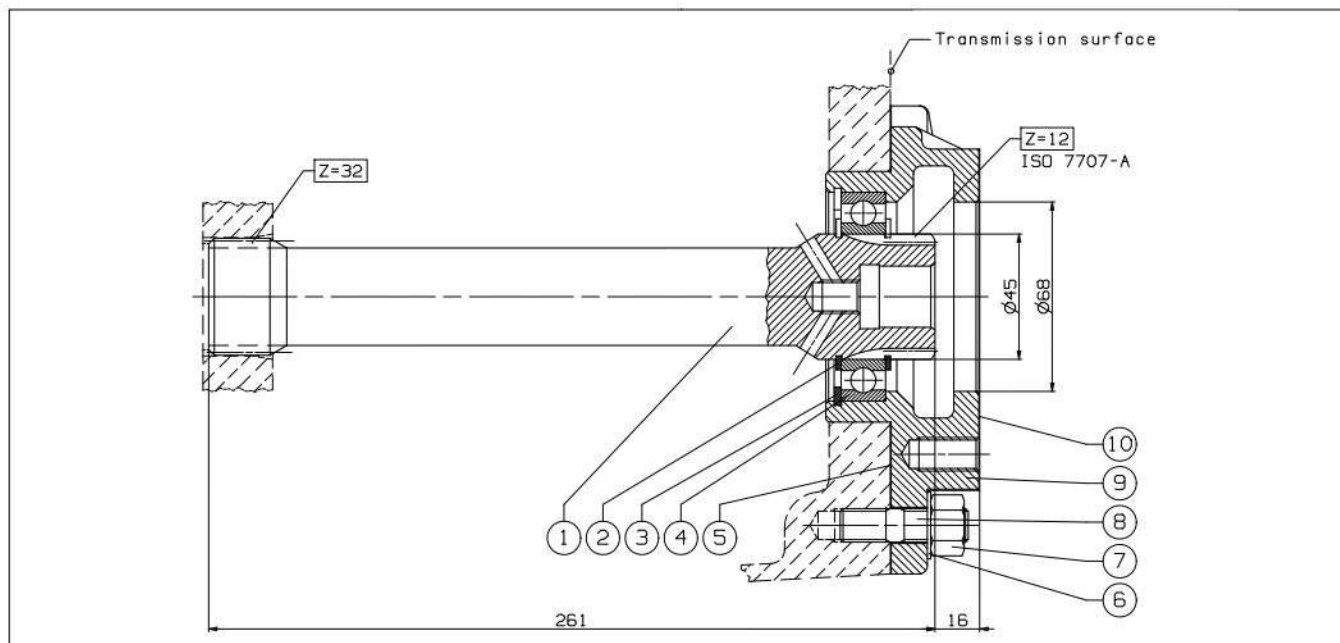
Partno.:

021313000

Gearbox:

VOLVO

Page 1 / 2



Parts list			
No.	Partno.:	Description	Qty.
1		Quill shaft	1
2		Circlip E 45	1
3		Circlip I 75	1
4		Ball bearing 45x75x16	1
5		Gasket between flange and gearbox	1
6		Washer	4
7		Nut M12 CH17 H12	4
8		Stud screws M12x28 UNI5911 L=46	4
9		Shift PTO coupling flange	1
10		Gasket	1

Type of Gearbox	
VOLVO	R1000...SRO2400 / VT1708...VTO2814B



Този продукт се предлага от:



HYDRAULIC PARTS & EQUIPMENT

Гр. София, ул. Челопешко шосе 10-12
0886 441 442 / 0898 447 449
www.hydraulicstore.eu

HYVA QUILL SHAFT



QUILL SHAFT

Hyva

Partno.:

021313000

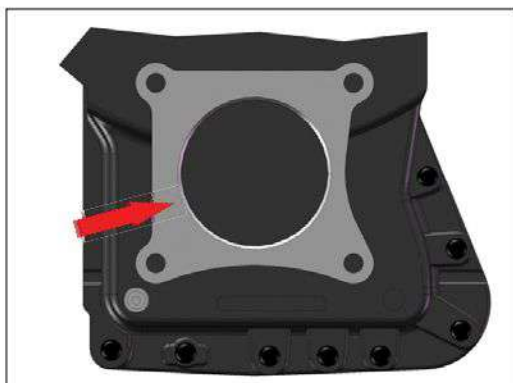
Gearbox:

VOLVO

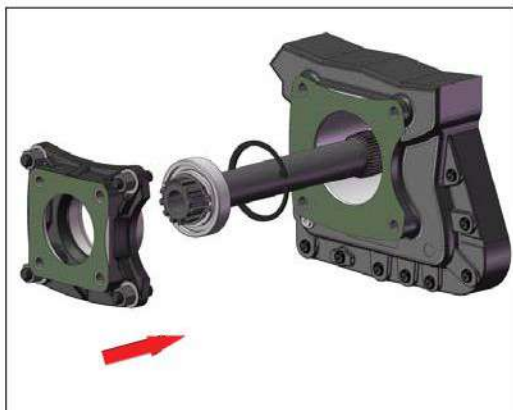
Page 2 / 2

General informations

In some cases the VOLVO transmission can have a lubrication hole for the PTO.
In this case, pay particular attention to correct gasket orientation.



1) Take out the original rear cover and remove any presence of sealant or painting.



2) Fit in the gearbox the complete quill shaft.



TIGHTENING TORQUE						
Thread diameter - Screw	(mm)	M8	M10	M12	UNC 3/8	UNC 7/16
Screws and nuts torque	(Nm)	25	50	80	25	60
Studs torque	(Nm)	10	20	30	10	20

For aluminium gearboxes the tightening torque needs to be reduced by 30%.

Note on the tightening torque: the tightening torques reported are only means as a guide and do not replace the indications given by the vehicle's manufacturer of the gearbox manufacturer.

In order to get more information concerning PTO installation please check the Instructions delivered with the PTO.

Този продукт се предлага от:



HYDRAULIC PARTS & EQUIPMENT

Гр. София, ул. Челопешко шосе 10-12

0886 441 442 / 0898 447 449

www.hydraulicstore.eu