

HYVA QUILL SHAFT



QUILL SHAFT

Hyva

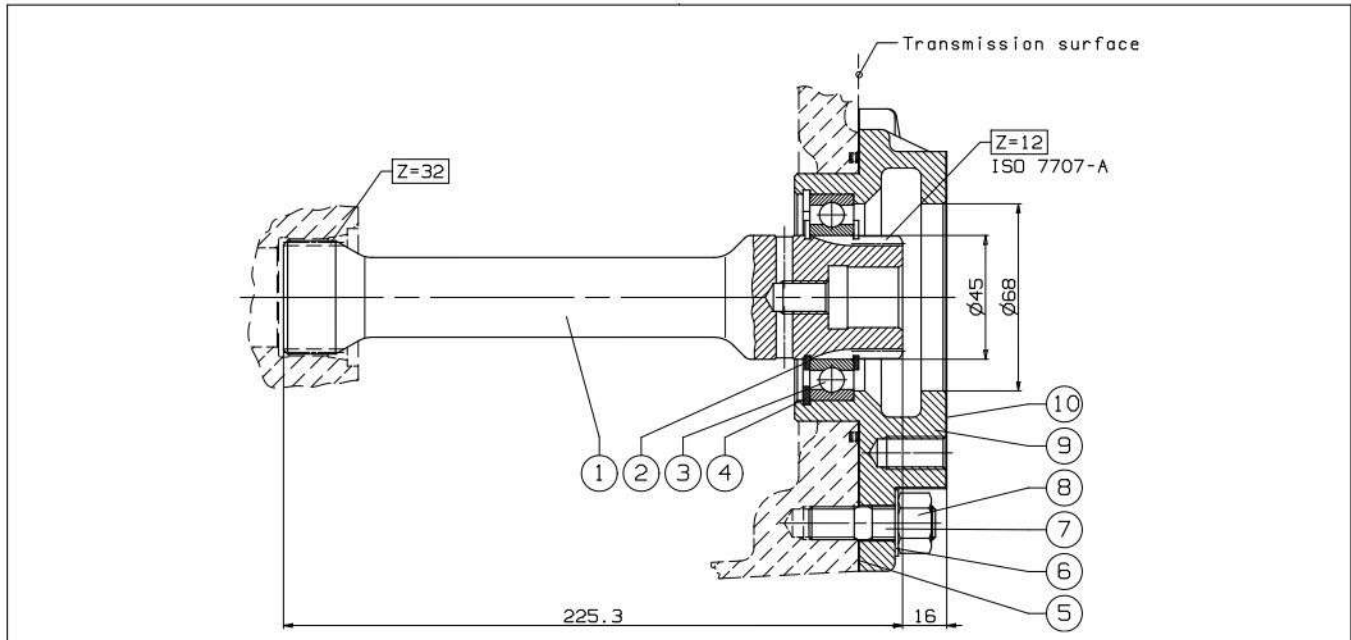
Partno.:

021313001

Gearbox:

VOLVO

Page 1 / 1



Parts list			
No.	Partno.:	Description	Qty.
1		Quill shaft	1
2		Circlip E 45	2
3		Circlip 75 I	1
4		Ball bearing 45x75x16	1
5		Gasket	1
6		Washer	4
7		Nut M12 CH17 H12	4
8		Stud M12x27 UNI 5911	4
9		Shift-PTO coupling flange	1
10		Gasket	1

Type of Gearbox	
VOLVO	AT 2412C...ATO 3112C WITH OR WITHOUT RETARDER



General informations

In the mounting phase of the flange onto the gearbox, check the integrity of the OR seal incorporated into the rear surface of the gearbox hatch. If it has deteriorated, replace it with the seal included in our shaft kit.

Този продукт се предлага от:



HYDRAULIC PARTS & EQUIPMENT

Гр. София, ул. Челопешко шосе 10-12
0886 441 442 / 0898 447 449
www.hydraulicstore.eu