

HYVA GEAR PUMPS



EXTERNAL GEAR TYPE - BRITE SERIES

Hyva

gear pump type :

gear pump 082L - BI - 3H - BRITE

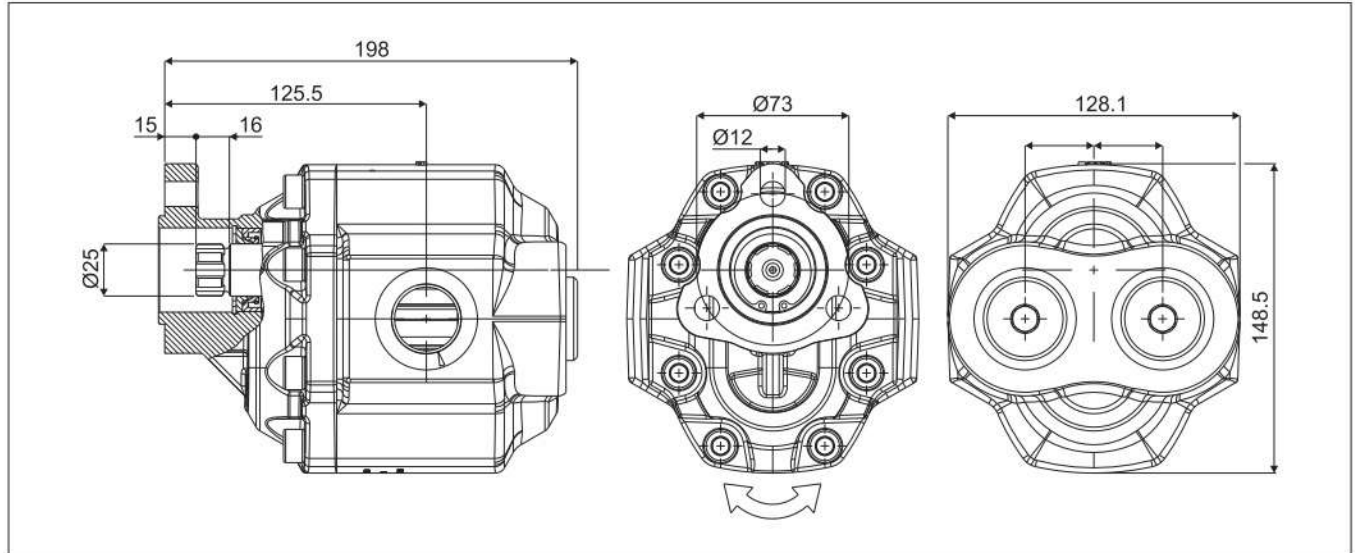
part number :

145 63 082

page # 1 / 2

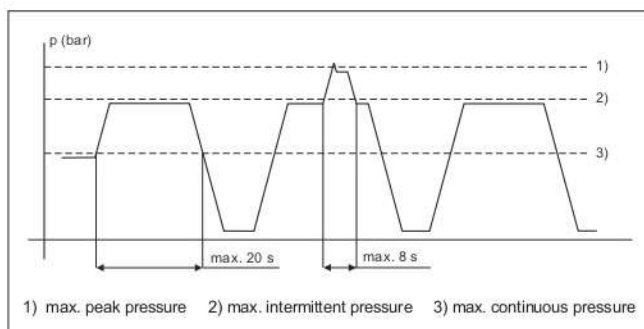
rotation :

bi-rotational



displacement per revolution	:	81,68	cm ³
maximum peak pressure	:	230	bar
maximum intermittent pressure	:	225	bar
maximum continuous pressure	:	195	bar
maximum speed without load	:		min ⁻¹
max. speed at intermittent press.	:	2250	min ⁻¹
min. speed at intermittent press.	:	300	min ⁻¹
oil temperature range	:	-25 ↔ 80	°C
inlet pressure range (suction side)	:	12 ↔ 3	bar (abs)
recommended oil viscosity range	:	12 ↔ 100	mm ² /s (cSt)
maximum starting viscosity	:	750	mm ² /s (cSt)
filtration :			
- working pressure < 200 bar	:	25	µm
- working pressure > 200 bar	:	10	µm
connection :			
- inlet - straight internal thread	:	1	" B.S.P.
- outlet - straight internal thread	:	1	" B.S.P.
minimum suction hose bore diameter	:	1,75	inch
shaft UNI 8953	:	6*21*25	mm
mass	:	12,1	kg
noise level at 900 min ⁻¹ and 100 bar	:	66,6	dB(A)
noise level at 1500 min ⁻¹ and 100 bar	:	71,0	dB(A)

efficiency diagram on request



Pressure (bar)	50	100	150	200	225
Torque (Nm)	75	142	205	266	294
Power (kW)					
500	4	7	11	14	15
1000	8	15	21	28	31
1500	12	22	32	42	46
2000	16	30	43	56	62
2500	20	37	54	70	77
Flow (L/min.)					
500	39	39	38	38	38
1000	79	77	76	75	75
1500	118	116	114	113	113
2000	157	154	152	151	151
2500	196	193	190	189	188

Този продукт се предлага от:



HYDRAULIC PARTS & EQUIPMENT

Гр. София, ул. Челопешко шосе 10-12

0886 441 442 / 0898 447 449

www.hydraulicstore.eu

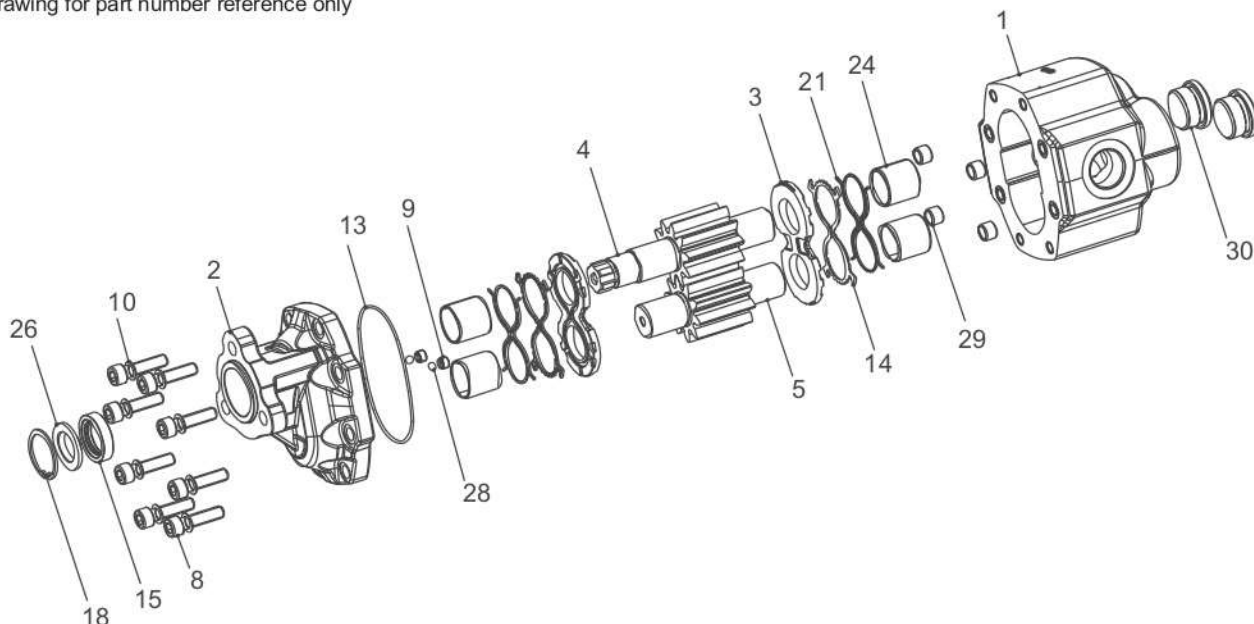
HYVA GEAR PUMPS



EXTERNAL GEAR TYPE - BRITE SERIES

Hyva	gear pump type :	gear pump 082L - BI - 3H - BRITE
page # 2 / 2	part number :	145 63 082
	rotation :	bi-rotational

drawing for part number reference only



pos.	code no.	description	qty.
1	145 63 082 01	body	1
2	145 63 082 02	front cover	1
3	022 59 400	thrust plate Brite	2
4	145 63 082 04	drive shaft	1
5	145 63 082 05	driven gear	1
8	145 63 082 08	screw	8
9	145 63 082 09	dowel 1/8"	2
10	145 63 082 10	washer	8
13	145 63 082 13	O-ring	1
14	145 63 082 14	seal	2
15	145 63 082 15	shaft seal	1
18	145 63 082 18	circlip	1
21	145 63 082 21	back-up ring	2
24	145 63 082 24	sleeve bearing	4
26	145 63 082 26	back-up washer plastic	1
28	145 63 082 28	ball	2
29	145 63 082 29	steel bushes	4
30	145 63 082 30	steel plug	2

code no.	description	qty.
024 60 ???	seal kit complete	1
	(comprises 13, 14, 15, 21 & 26)	

The mentioned data on page 1 is for mineral based oil.
For other fluids, please contact our engineering dept.

The filtration as mentioned is for tippers only. For different applications we advise filtration according ISO 4406 class 17/14.

To avoid cavitation, the suction hose must be kept as short and straight as possible, and the minimum oil level in the oil tank must be above the inlet of the pump.

Side and/or rear ports can be used as desired.

Torque plugs:
 3/4" 60 Nm
 1" 75 Nm
 1 1/4" 115 Nm

Този продукт се предлага от:



HYDRAULIC PARTS & EQUIPMENT

Гр. София, ул. Челопешко шосе 10-12
 0886 441 442 / 0898 447 449
 www.hydraulicstore.eu