

3D model is available on request

Specifications

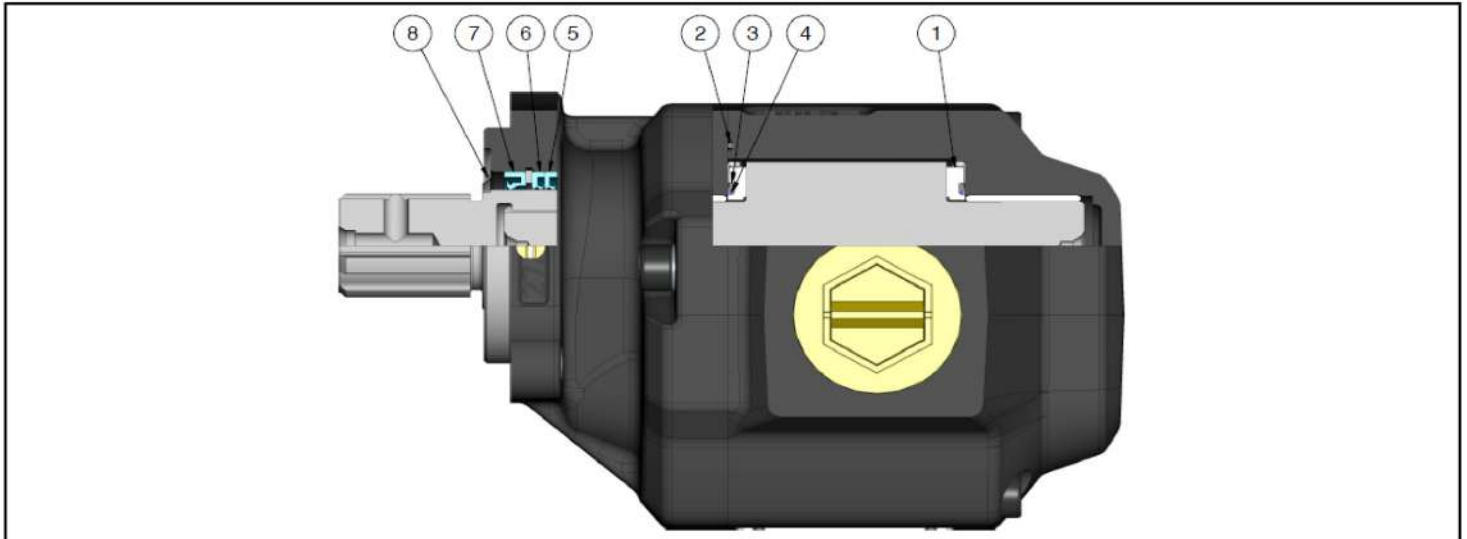
Type	85cc/rev	85cc/rev	105cc/rev	105cc/rev	
Part number	14571340	14571341	14571350	14571351	
Displacement	85,1	85,1	104,7	104,7	cc/rev
Port configuration	2 side	2 rear	2 side	2 rear	
Shaft DIN 5462	8*32*36	8*32*36	8*32*36	8*32*36	mm
Inlet - straight internal thread	1 3/4"	1 3/4"	1 3/4"	1 3/4"	BSP
Outlet - straight internal thread	1 3/4"	1 3/4"	1 3/4"	1 3/4"	BSP
Minimum suction hose diameter	1 3/4"	1 3/4"	1 3/4"	1 3/4"	inch
Torque at 250bar	350	350	430	430	Nm
p2 : Max. pressure for tipping application	250	250	250	250	bar
p3 : Max. continuous pressure	230	230	230	230	bar
p1 : Max. peak pressure	255	255	255	255	bar
L : Length pump	184	187	196	199	mm
L2 : Length before ports	81	178	81	190	mm
W : Width pump	134	136	134	136	mm
W2 : Smaller width before ports	120	120	120	120	mm
H : Height pump	148,5	148,5	148,5	148,5	mm
A : Position side port	114		118		mm
B : Position rear port		34		34	mm
Mass	14	14	15	15	kg
Centre of gravity distance (COG)	87	89	93	95	mm
Flow at 2000 rpm	157	157	193	193	l/min
Max. speed at intermittent pressure	2500	2500	2250	2250	rpm
Min. speed at intermittent pressure	300	300	300	300	rpm
Oil temperature range	min / max -40 / 80	min / max -40 / 80	min / max -40 / 80	min / max -40 / 80	°C
Inlet pressure range (suction side)	min / max 0,7 / 3	min / max 0,7 / 3	min / max 0,7 / 3	min / max 0,7 / 3	bar
Recommended oil viscosity range	min / max 12 / 100	min / max 12 / 100	min / max 12 / 100	min / max 12 / 100	mm ² /s
Max. starting viscosity	750	750	750	750	mm ² /s
Min. filtration	25	25	25	25	µm
Noise level at 1000 rpm and 100 bar	65	65	66	66	dB
Leak indicator included with the pump	Yes	Yes	Yes	Yes	

Този продукт се предлага от:



Гр. София, ул. Челопешко шосе 10-12
0886 441 442 / 0898 447 449
www.hydraulicstore.eu

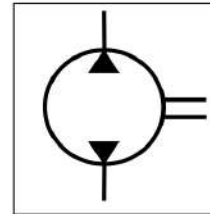
HYDRAULIC PARTS & EQUIPMENT



Spare parts

Hydraulic symbol pump

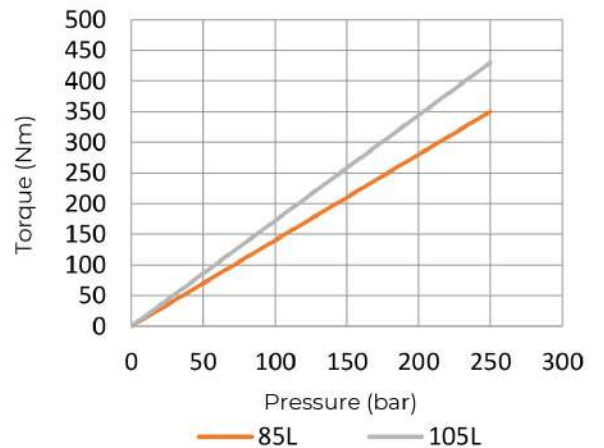
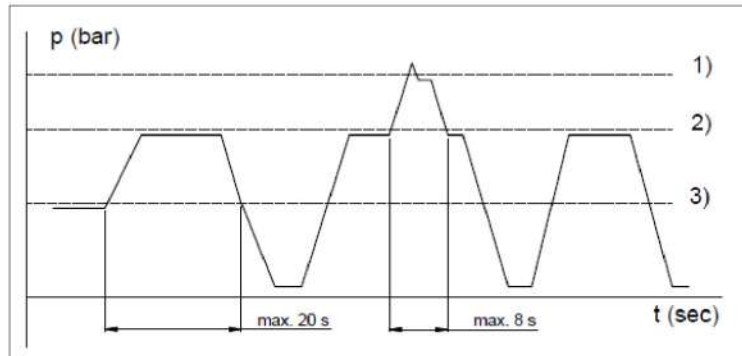
	Type	85cc	105cc
	Seal kit (parts : 2, 3, 4, 5, 6, 7 & 8)	02460015	02460015
1	Thrust plate	02259408	02259408
2	O-ring	see seal kit	see seal kit
3	Seal thrust plate	see seal kit	see seal kit
4	Back-up ring thrust plate	see seal kit	see seal kit
5	Shaft seal	see seal kit	see seal kit
6	Shaft seal	see seal kit	see seal kit
7	Shaft seal	see seal kit	see seal kit
8	Nilos ring	see seal kit	see seal kit
9	Leak indicator kit	02470180	02470180



* Leak indicator included with the pump

Pressure definition

Torque - Pressure characteristics



- p 1) Peak pressure
- p 2) Intermittent pressure
e.g. tipping applications
- p 3) Continuous Pressure

* PTO output torque must be higher than the torque required by the pump

Mounting options

