

HYVA PTO'S



PNEUMATICALLY OPERATED POWER TAKE-OFF

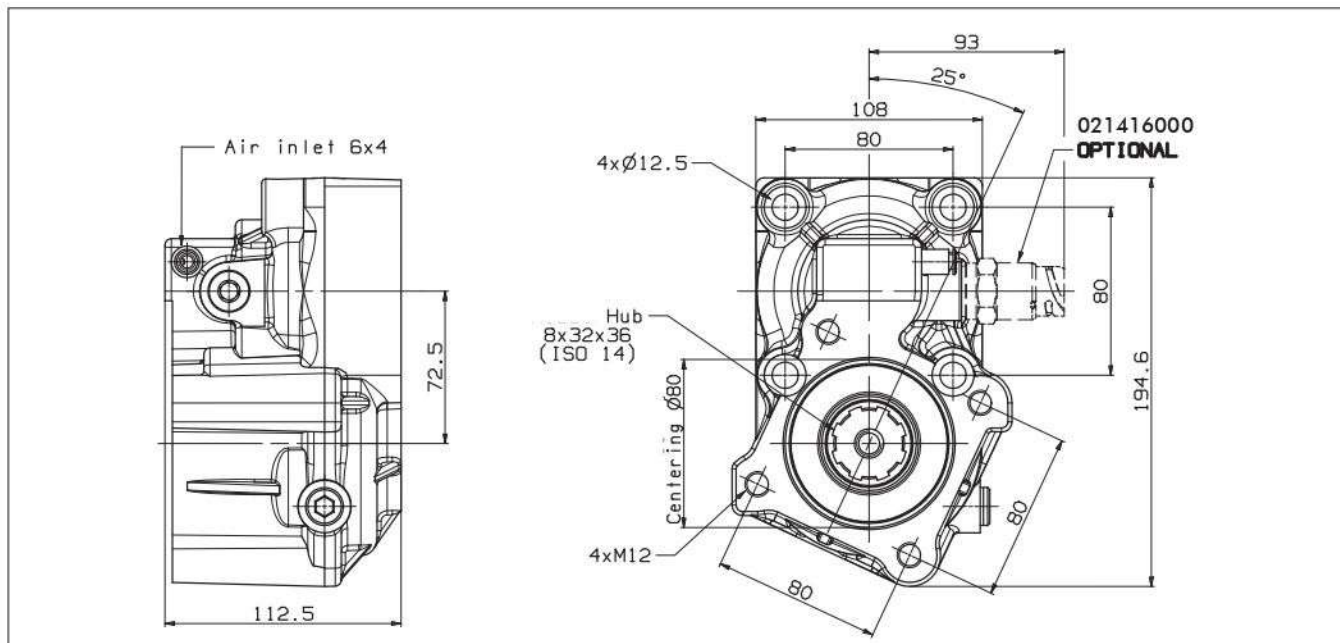
Hyva

Partno. PTO: 021220030/021215023/021215050

Type Gearbox:

ZF - IVECO-VOLVO-
MERCEDES - EATON

Page 1 / 2



Specifications

Type Gearbox	MERCEDES-IVECO-EATON-ZF-VOLVO		
	021220030	021215023	021215050
PTO ratio@1000 eng. rpm	SEE INDEX		
Internal ratio	1:1,8	1:1,53	1:1,33
Max torque	350 Nm	400 Nm	450 Nm
Mounting side	Rear		
Output	Rear		
Rotation	Acw		

Mounting kit

Part no.	SEE INDEX
----------	-----------

Attention

The prop shaft overall dimensions shown in the section "PROP SHAFT CLEARANCE" have been taken from the technical catalogues of the gearboxes' manufacturers, HYVA BV refuses all responsibility for any change of such dimensions as well as for any gearboxes damages due to higher torque absorption than allowed.



Този продукт се предлага от:



HYDRAULIC PARTS & EQUIPMENT

Гр. София, ул. Челопешко шосе 10-12
0886 441 442 / 0898 447 449
www.hydraulicstore.eu

HYVA PTO'S



PNEUMATICALLY OPERATED POWER TAKE-OFF

Hyva

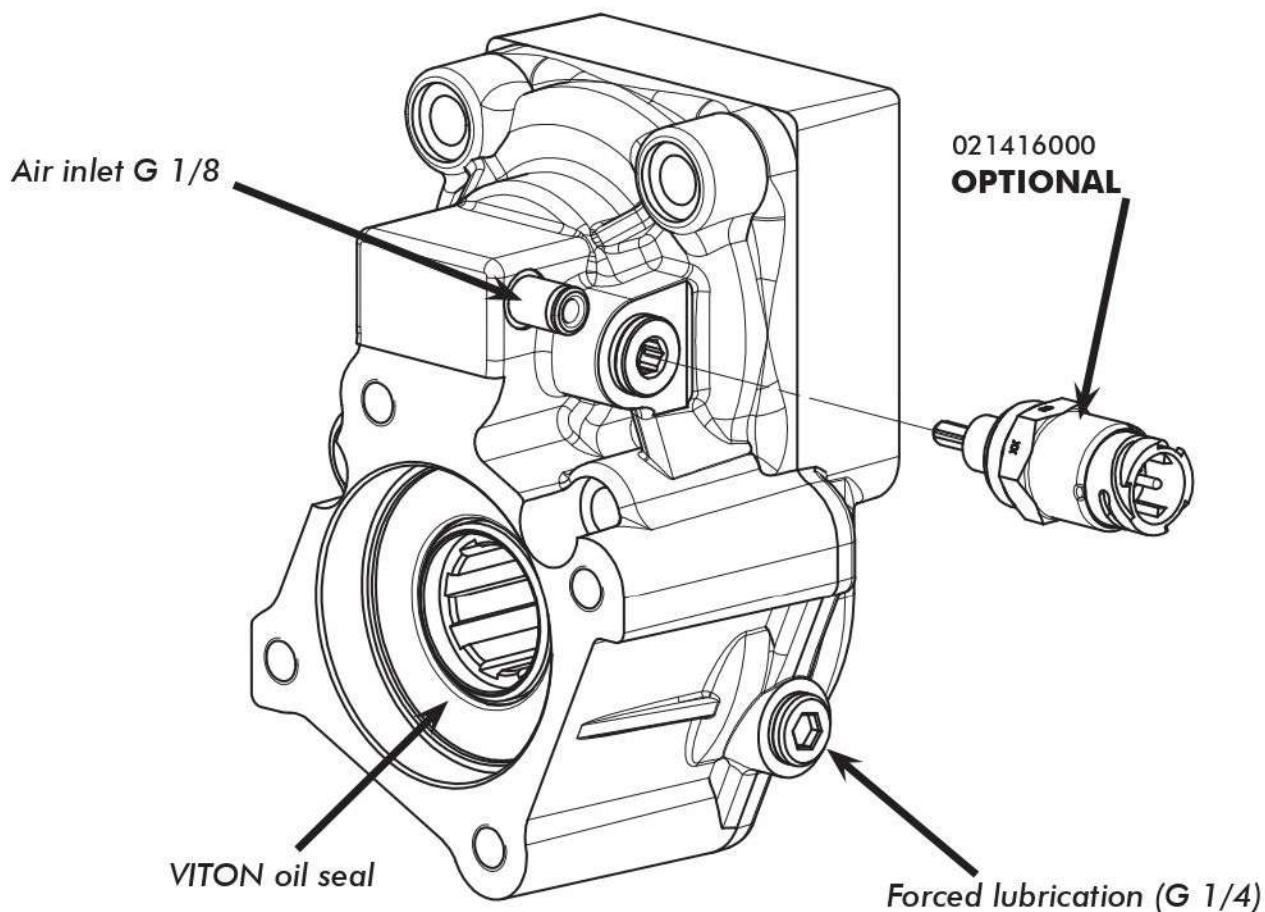
Partno. PTO: 021220030/021215023/021215050

Page 2 / 2

Type Gearbox:

ZF - IVECO - VOLVO -
MERCEDES - EATON

Basic characteristics



Този продукт се предлага от:



HYDRAULIC PARTS & EQUIPMENT

Гр. София, ул. Челопешко шосе 10-12
0886 441 442 / 0898 447 449
www.hydraulicstore.eu