

- 1 Pump connection (P)
- 2 Tank connection (T)
- 3 Cylinder connection SAE(C)
- 4 Pneumatic connection (Tip)
- 5 Pneumatic connection (Lower)
- 6 Pressure cartridge
- 7 Pressure gauge point
- 8 Adjustment screw (To adjust the lowering speed)

For mounting on

- Hyva tank mounting plate
- Directly on Hyva cylinder with SAE inlet

3D model is available on request

**SAFETY**  
HT valve fitted on cylinder (SAE)  
Valve offers hose burst safety function

### Types

Hydraulic connections	Pressure (BAR)	Part Number	Description
	Max.		
P, T & C = 3/4" C = SAE	135	14767213	TIP VALVE HT-TNK/SAE-1150-135-P3/4"
	150	14767215	TIP VALVE HT-TNK/SAE-1150-150-P3/4"
	170	14767217	TIP VALVE HT-TNK/SAE-1150-170-P3/4"
	190	14767219	TIP VALVE HT-TNK/SAE-1150-190-P3/4"
	220	14767222	TIP VALVE HT-TNK/SAE-1150-220-P3/4"
	250	14767225	TIP VALVE HT-TNK/SAE-1150-250-P3/4"
T, C=3/4"& P=1" C = SAE	135	14767263	TIP VALVE HT-TNK/SAE-1150-135-P1"
	150	14767265	TIP VALVE HT-TNK/SAE-1150-150-P1"
	170	14767267	TIP VALVE HT-TNK/SAE-1150-170-P1"
	190	14767269	TIP VALVE HT-TNK/SAE-1150-190-P1"
	220	14767272	TIP VALVE HT-TNK/SAE-1150-220-P1"
	250	14767275	TIP VALVE HT-TNK/SAE-1150-250-P1"

Optional adapter kits	Kit number
3/4" Straight TNK	AK5212TS
3/4" 90 degree TNK	AK5212TE
3/4" Straight SAE	AK5212SS
3/4" 90 degree SAE	AK5212SE
1" Straight TNK	AK5216TS
1" 90 degree TNK	AK5216TE
1" Straight SAE	AK5216SS
1" 90 degree SAE	AK5216SE

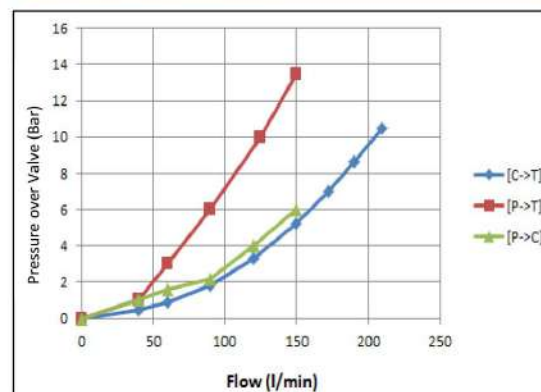
Mounting kits	Kit number
Cylinder (SAE)*	14735162
Tank (TNK)*	14735160

\* = NOT included with valve

### Specifications

Type	Spool valve with pressureless bypass in neutral. Oil flow in lowering position is proportional with pneumatic pilot pressure.	
Max. peak pressure	300 bar	
Pneumatic pilot pressure	6-12 bar	
Max. pump flow	150 L/min	
Max. pressure on T-connection	10 bar	
Min. filtration (ISO 18/13)	25 µm	
Viscosity range	min	12 mm <sup>2</sup> /s (cst)
	max	100 mm <sup>2</sup> /s (cst)
Temperature range	min	-40 °C
	max	80 °C
Mass	3,7 kg	

### Δp - Q characteristic

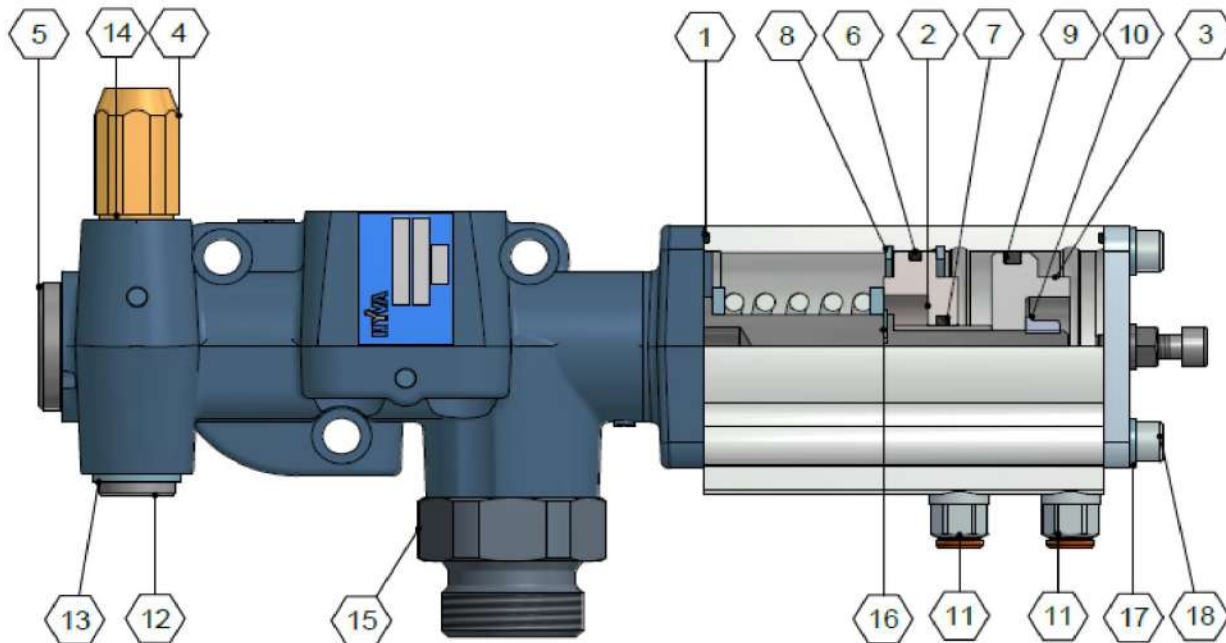


Този продукт се предлага от:



HYDRAULIC PARTS & EQUIPMENT

Гр. София, ул. Челопешко шосе 10-12  
0886 441 442 / 0898 447 449  
www.hydraulicstore.eu

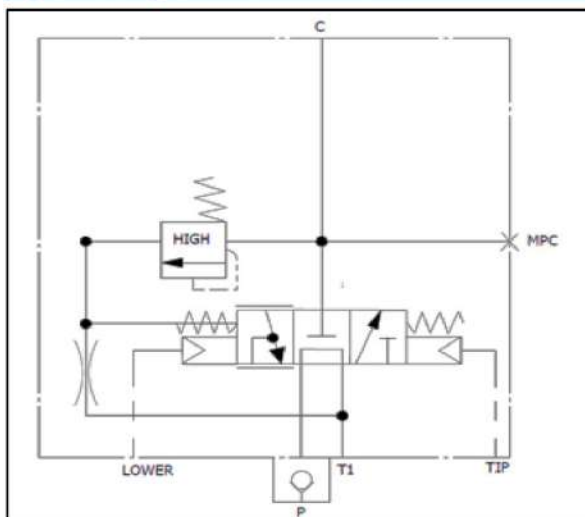


### Spare Parts

No.	Part no.	Description	Qty
1	01226200	O-ring	2
2	14845005	Closing plate for HT-valve	1
3	14845007	Piston air cylinder	1
4	14772...	Cartridge pressure relief	1
	14772135	135 bar	
	14772150	150 bar	
	14772170	170 bar	
	14772190	190 bar	
	14772220	220 bar	
	14772250	250 bar	
	14772280	280 bar	
5	14845024	Plug	1
6	14845013	O-ring	1

No.	Part no.	Description	Qty
7	14845018	Quadring	1
8	14845019	Circlip	2
9	14845020	Quadring	1
10	14845015	Sealing nut M8 for HT-valve	1
11	14810517	Air coupling 1/8"	2
12	14845039	Plug	1
13	01206813	Bonded seal	1
14	14841215	O-ring 10,82 x 1,78	1
15	14739980	Non return valve 3/4"	1
	14739975A	Non return valve 1"	1
16	15029046	Circlip	1
17	15022015	Washer spring	4
18	15013639	Bolt HSHC	4

### Hydraulic symbol of the HT valve



Този продукт се предлага от:

**HYDRAULIC STORE®**  
**HYDRAULIC PARTS & EQUIPMENT**

Гр. София, ул. Челопешко шосе 10-12  
 0886 441 442 / 0898 447 449  
[www.hydraulicstore.eu](http://www.hydraulicstore.eu)