

# HYVA OIL TANKS



## CRADLE MOUNTED TANK WITH RETURN FILTER AND VALVE MOUNTING BLOCK

Hyva

type :

CM - 100L/079L - MP - RF

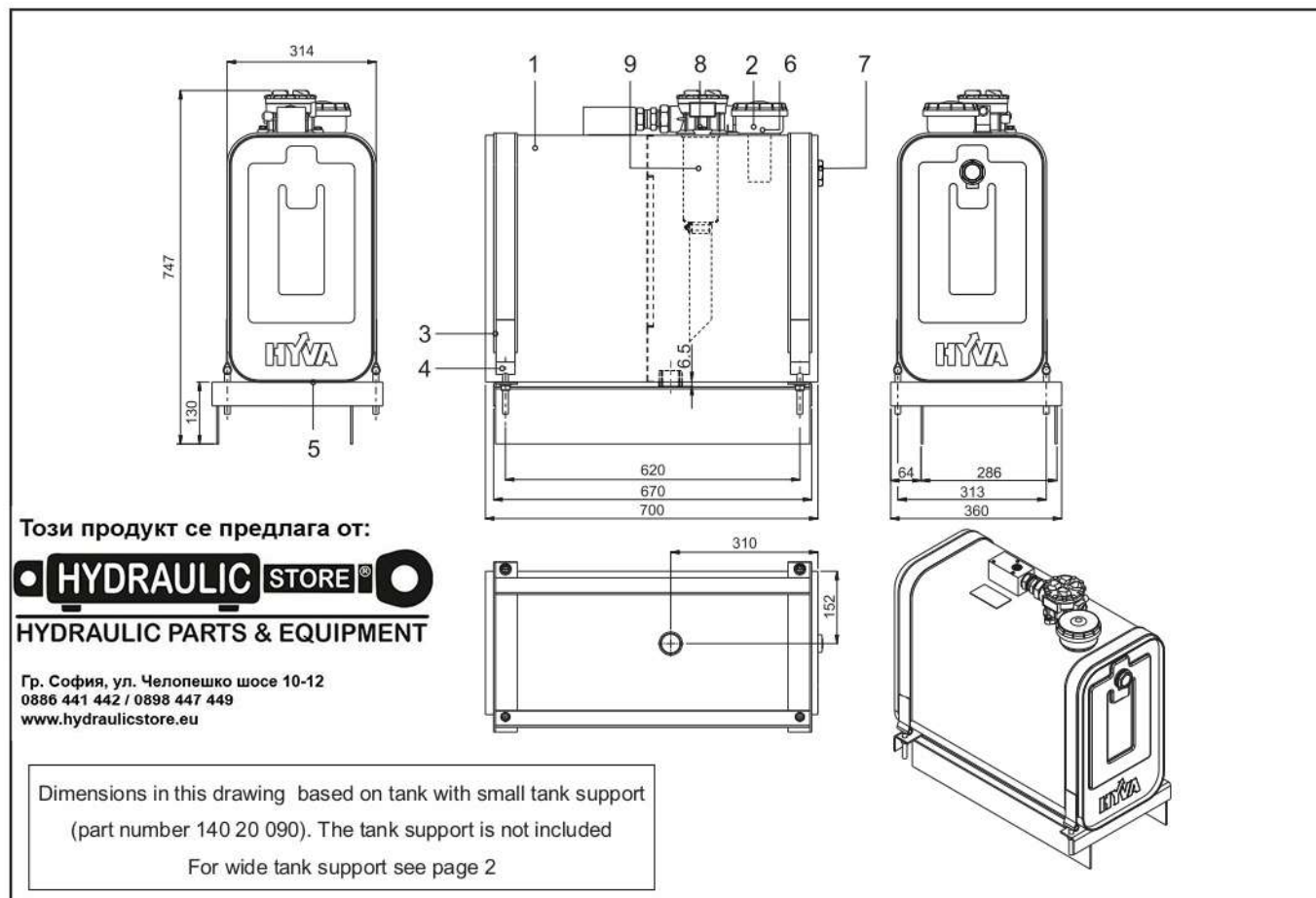
Page 1 / 2

part number tank :

140 16 300

working volume :

79 liters



Този продукт се предлага от:



HYDRAULIC PARTS & EQUIPMENT

Гр. София, ул. Чelopeшко шосе 10-12  
0886 441 442 / 0898 447 449  
www.hydraulicstore.eu

### Part list

Pos.	Part no.	Description	Qty.
1	140 16 300	tank CM - 100L/079L - MP - RF	1
2	081 02 116	air breather filter	1
3	140 20 040	rubber for straps 304x519	2
4	140 20 030	straps and nuts 304x519	2
5	140 20 070	rubber strip	2

### Spare Parts

Pos.	Part no.	Description	Qty.
6	081 02 117	air filter element	1
7	081 02 129	level indicator	1
8	147 80 306	return line filter	1
9	148 96 991 A	oil filter element	1

### General information

- Pay attention to the following points:**
- Mount the tank according the mounting instructions.
  - Fill the tank with the recommended hydraulic oil to the centre of the level indicator.
  - Change the oil once a year.
  - Replace the air breather and return filter element twice a year.
  - Do not use the tank as a support or to stand on.
  - Do not weld to the oil tank.

### Mounting instructions

- Cradle mounted tank on chassis**  
Before mounting oil tank, check carefully whether all openings and connections are free of packaging tape, dirt or particles etc.
- **Mounting tank on tank support** Put the rubber strip on the tank support and then put the tank on the support. Bend the straps around the tank. Mount the straps with the rubber straps on the tank using the lock washers and self-locking nuts. Torque the bolts to 30 Nm and make sure that all bolts are evenly tightened. Check the bolts on torque after 1000 km
  - **Mounting the tank support on the cylinder cradle** Place the back of the tank support at least 200 mm inside the cradle. Plug weld the support to the cradle through the holes in the cradle
  - **Sealing** Use fluid sealant or Teflon tape when fitting to a hydraulic component without O-ring. When a hydraulic component is provided with O-ring, no tape or fluid sealant is necessary.

### Specifications

Gross volume	: 100	Liters
Working volume	: 79	Liters
Weight tank	: 33	kg
Weight small support	: 12	kg
Weight wide support	: 12	kg
Suction connection	: 1½"	BSPIT

# HYVA OIL TANKS



CRADLE MOUNTED TANK WITH RETURN FILTER AND VALVE MOUNTING BLOCK

Hyva

type :

CM - 100L/079L - MP - RF

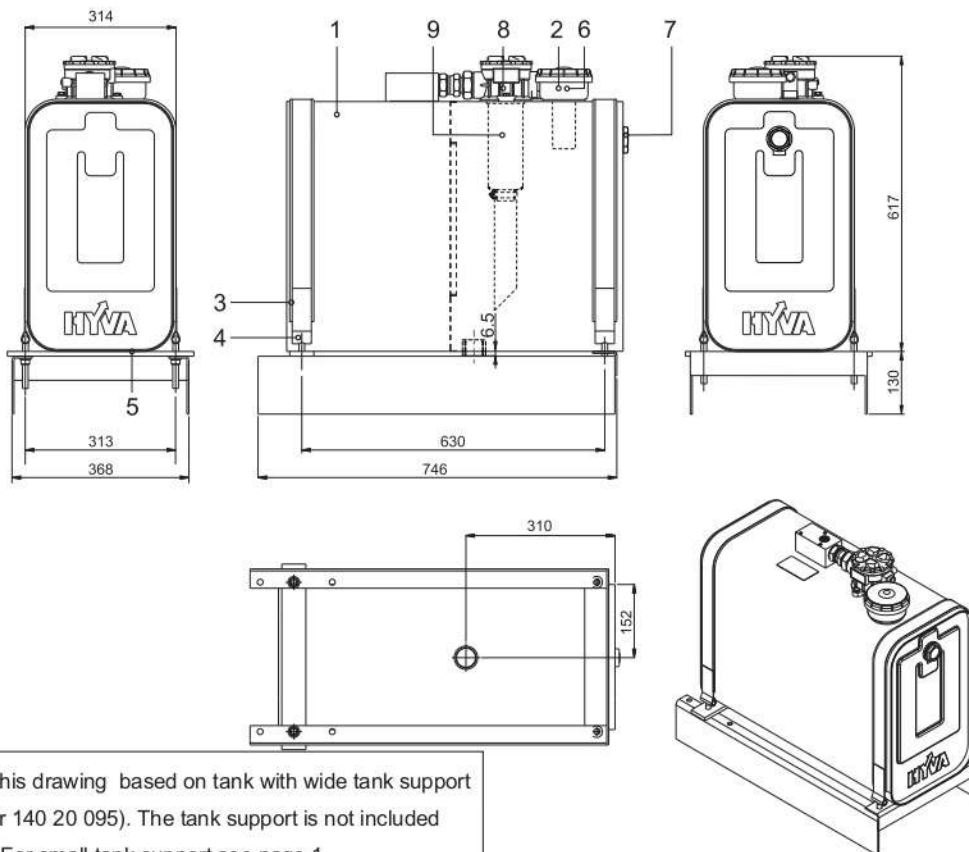
part number tank :

140 16 300

working volume :

79 liters

Page 2 / 2



Dimensions in this drawing based on tank with wide tank support (part number 140 20 095). The tank support is not included. For small tank support see page 1

Този продукт се предлага от:



HYDRAULIC PARTS & EQUIPMENT

Гр. София, ул. Челопешко шосе 10-12  
0886 441 442 / 0898 447 449  
www.hydraulicstore.eu