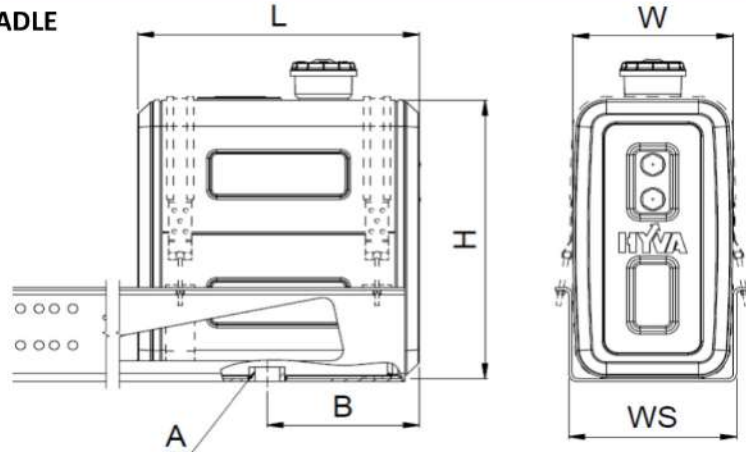


HYVA OIL TANK

CRADLE MOUNTED TANK ALPHA

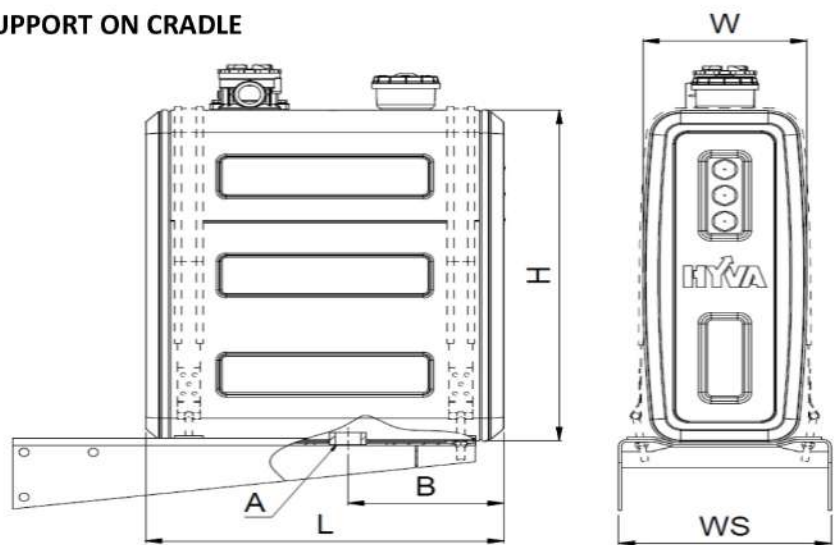
TANK IN CRADLE

W x H
280 x 525



TANK + SUPPORT ON CRADLE

W x H
280 x 700



3D model is available on request

Specifications

Support configuration	Tank in cradle		Tank + support on cradle	Tank + support on cradle	
	Tank + support on cradle				
Part number	14016500	14016505	14016520	14016524	
W: Width	280	280	280	280	mm
H: Height	525	525	700	700	mm
L: Length	500	620	620	620	mm
WS: Width of support	368	368	368	368	mm
B: Outer-section port distance	270	270	270	270	mm
Gross volume	66	83	108	108	liters
Working volume 1	47	59	86	86	liters
Working volume 2	39	48	78	78	liters
Working volume 3	-	-	69	-	liters
Weight tank	18	22	27	27	kg
A: Suction port	1,5"	1,5"	1,5"	1,5"	BSP

Technical notes

- Mount the tank according the mounting instructions • Fill the tank with the recommended hydraulic oil to the centre of the level indicator • Change the oil once a year
- Replace the air breather and return filter element twice a year • Do not use the tank to stand on or as a support • Do not weld on the oil tank • Steel tank painted black

Този продукт се предлага от:

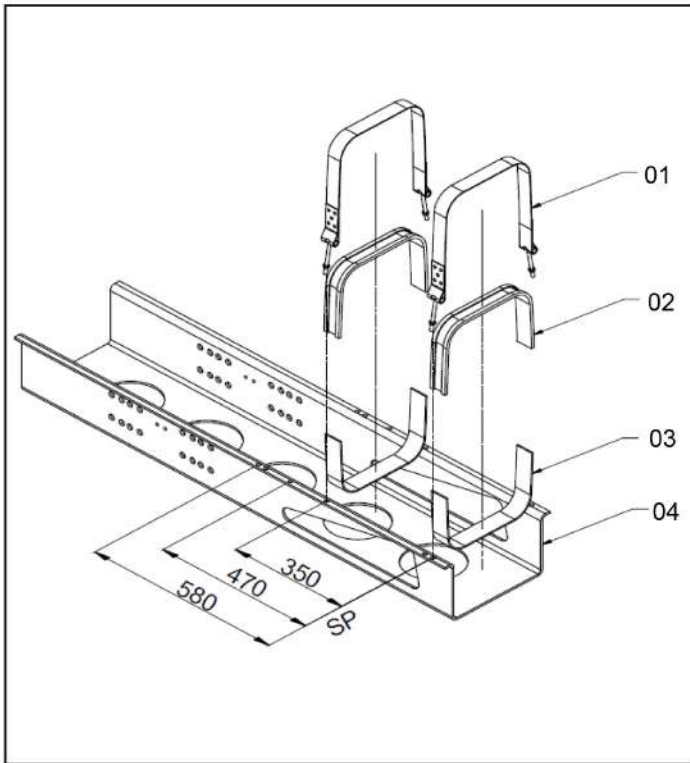


HYDRAULIC PARTS & EQUIPMENT

Гр. София, ул. Челопешко шосе 10-12
0886 441 442 / 0898 447 449

www.hydraulicstore.eu

Support & straps rubbers



Tank in cradle

Full kit

Part no.	Description
14021010	Full kit for oiltank 14016500 and 14016505*

* Full kit = 2 x (strap, rubber strap, rubber support, support and nut)

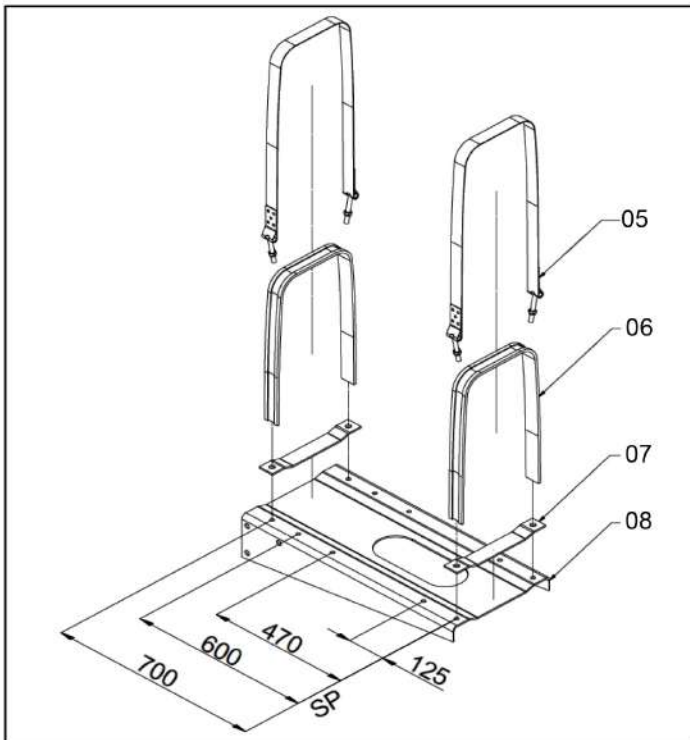
Separate support parts

	No.	Part no.	Description	Part No. Oil Tank		Weight (kg)
				14016500	14016505	
Cradle 286 + tank in cradle	01	14020470	Strap	•	•	0.7
	02	14020475	Rubbers strap	•	•	0.1
		-	Strap pos. (SP)	350	470	
	03	14020450	Support rubbers	•	•	0.1

Cradle parts

04	01507538	Cradle 286	•	•	36.7
----	----------	------------	---	---	------

Cradle to be ordered separate from the kit above:



Tank + support in cradle

Full kit

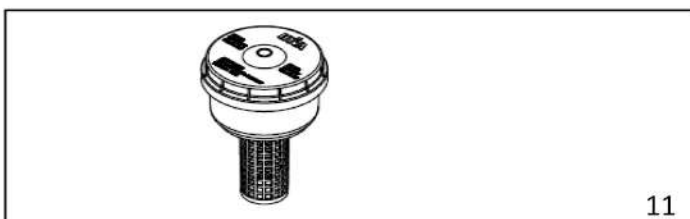
Part no.	Description
14021013	Full kit for oiltank 14016500 and 14016505**
14021014	Full kit for oiltank 14016520**

** Full kit = 2 x (strap, rubber strap, rubber support, support and nut)

Separate support parts

	No.	Part no.	Description	Part No. Oil Tank			Weight (kg)
				14016500	14016505	14016520	
Cradle 368 + support	05	14020460SS	Strap	•	•		1.2
		14020340SS				•	1.4
		14020465		•	•		0.2
	06	14020335	Rubbers strap	•	•		0.2
		-	Strap pos. (SP)	350	470	470	
	07	14020485	Rubbers support	•	•	•	0.1
	08	14020480	Support	•	•	•	16.1

Air breather



11

	Part no.	Part No. Oil Tank			Weight (kg)
		14016500	14016505	14016520	
11	Air Breather		08102116		0.4

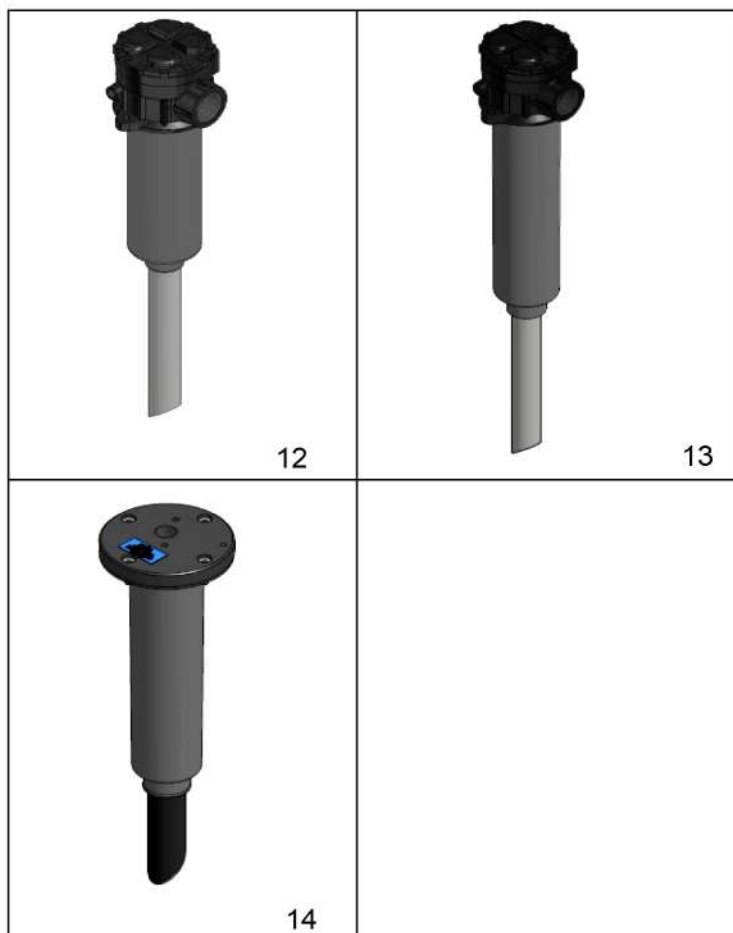
Този продукт се предлага от:



Гр. София, ул. Чelopeшко шосе 10-12
0886 441 442 / 0898 447 449
www.hydraulicstore.eu

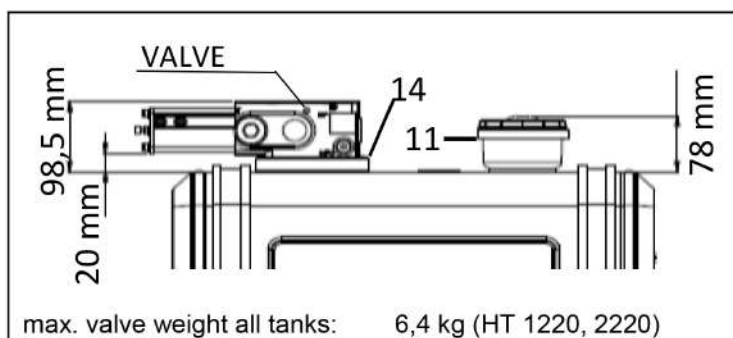
HYDRAULIC PARTS & EQUIPMENT

Return filters

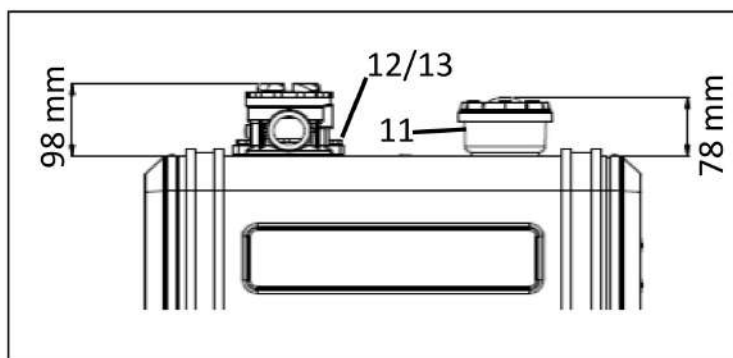


		Tank H = 525		Tank H = 700	Weight (kg)
		14016500	14016505	14016520	
12	Return filter 150L/m	14780301	14780304	1.0	
13	Return filter high capacity 250L/m	14780331	14780334	1.2	
14	Return filter valve mounting plate 150 L/m	14895919	14895921	1.9	

Valve mounting options



Valve mounted on tank



Chassis or cylinder (SAE) mounted valve

Този продукт се предлага от:



Гр. София, ул. Челопешко шосе 10-12
0886 441 442 / 0898 447 449
www.hydraulicstore.eu

HYDRAULIC PARTS & EQUIPMENT