

Alpha series - Front end cylinder with single eye



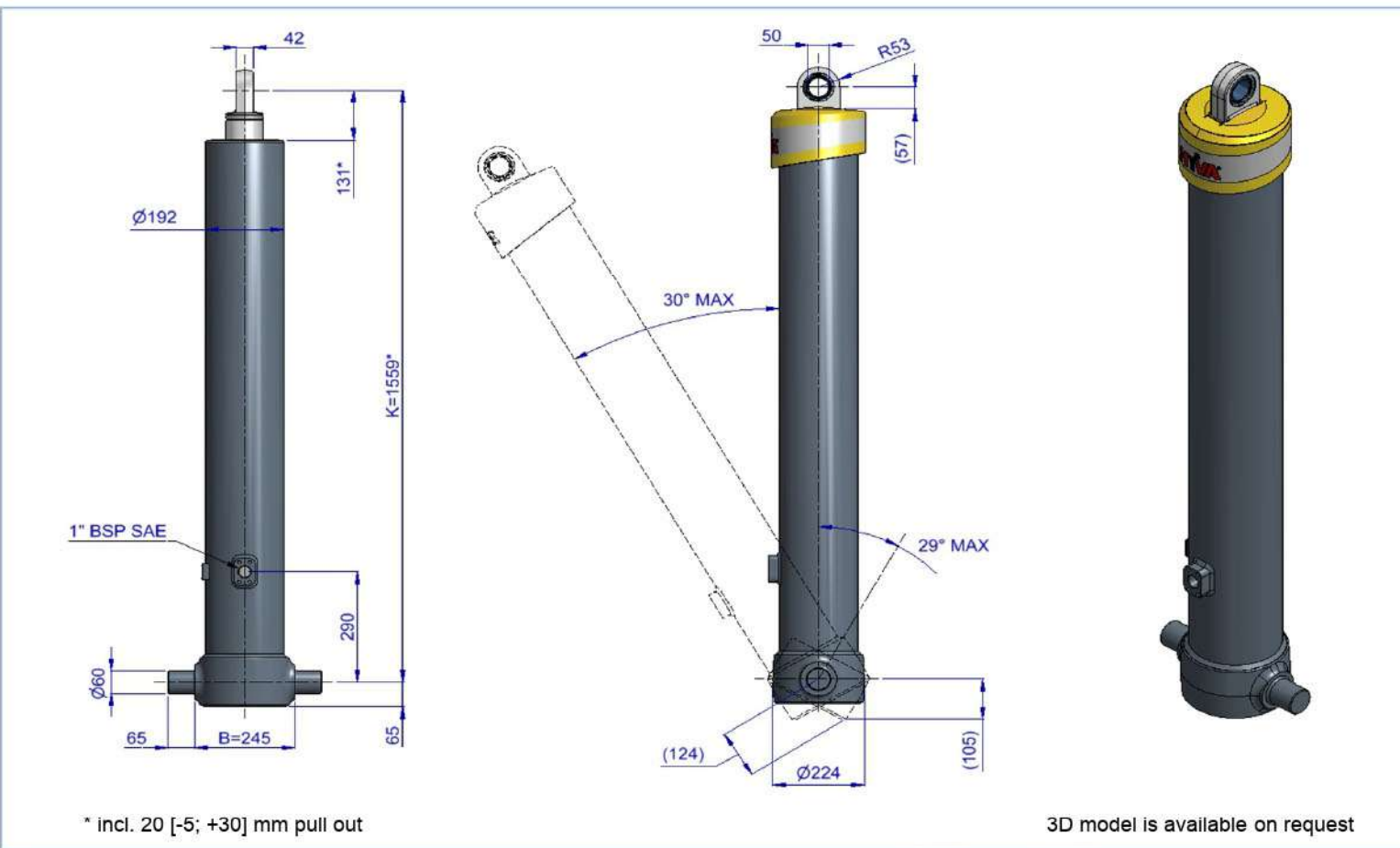
FE A169-5-06230-019-K1559*290

Item no.

70546532

Tipping weight

34 - 52 ton



Specifications

Max. working pressure	190 bar	Max. pump flow (with KO)	190 L/min	Resulting tipping time (with KO)	27 sec
Weight	237 kg	Max. pump flow (without KO)	137 L/min	Resulting tipping time (without KO)	38 sec
Working volume	86 L			Allowable lowering time	27 sec
Total volume	93 L				
Max. cyl. load (start tipping)	245 kN				
Max. cyl. load (end of stroke)	165 kN				

KO: Hyva pneumatic knock off

Extension	1	2	3	4	5	6	7	Total
Effective diameter [mm]	169	149	129	110	91			6230
Stroke* [mm]	1230	1250	1250	1250	1250			

Technical notes

- This cylinder is a lifting device only. It should not be used as a structural member and should not be subjected to side loads.
- When the cylinder is mounted at an angle, the maximum tipping weight could be reduced.
- Maximum backwards angle of rotation during operation is 29 deg.
- Working pressure depends on the application, but must never exceed the maximum working pressure stated.
- Working temperature range is between -40°C and +80°C.
- Maximum duration of extension is 0.5 hours (excluding hard chromed stages).
- Cylinder is painted black (RAL9005) with a thickness conforming to the 480 hours neutral salt spray test as per ISO 9227 (ISO 10289, rating 9).

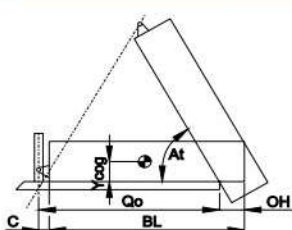
Related documentation

Bracket options: 015BRA10 & 015BRA13

Mounting instructions: CYL-0031

Oil specifications: OIL-0011

Tipping weight



BL body length
OH rear overhang
Ycog vert. pos. centre of gravity
Qo pivot length
C bracket length
At tipping angle
stroke x 60 / Qo

	BL	8200			7850			7500		
OH	200	500	800	200	500	800	200	500	800	
At	46	48	50	48	50	52	50	53	55	
Ycog										
600	34	37	40	35	38	42	36	40	45	
900	36	39	44	38	41	47	40	44	51	
1200	39	43	48	41	46	52	43	49		

Tipping weight at maximum pressure of 190 bar for a vertically mounted cylinder and C is 158 mm

Този продукт се предлага от:



Гр. София, ул. Челопешко шосе 10-12
0886 441 442 / 0898 447 449
www.hydraulicstore.eu

HYDRAULIC PARTS & EQUIPMENT

Pos.	Part no.	Description	Qty.
C01	71839131	DUST COVER FE 169-5/179-5/191-6	1
P01	74402471	PISTON FL2 S 091-1475-HC	1
P02	71853091 K	SLIDER FL 091 (2 X 1/2) A22	1
P03	71851091 K	OUTER STOPRING FL 091 A22	1
P04	71822091	BOTTOM PLATE PISTON 091	1
P05	01745012 K	CIRCLIP 82 DIN 472 (87.5x2.5)	1
P06	71870215 K	O-RING PISTON BOTTOM 091	1
P07	71847200	PISTON EYE SPH. FL 091 MK2 L=075	1
P08	01226430 K	O-RING 72.62 X 3.53 MM	1
P09	71875450 K	SPHERICAL BEARING D.50 MAINT. FREE	1
P10	01770560 K	CIRCLIP 75 GE 50 DO DIN 472	1
P11	71875012	PIN ROUND HEAD GROOVED 8x15 mm	2

Този продукт се предлага от:



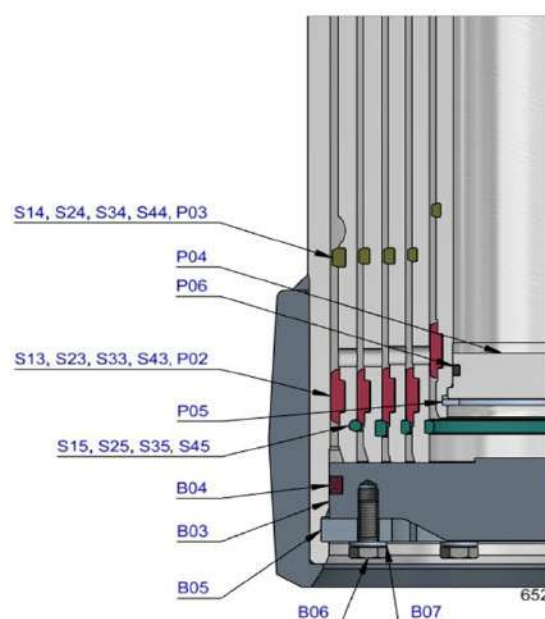
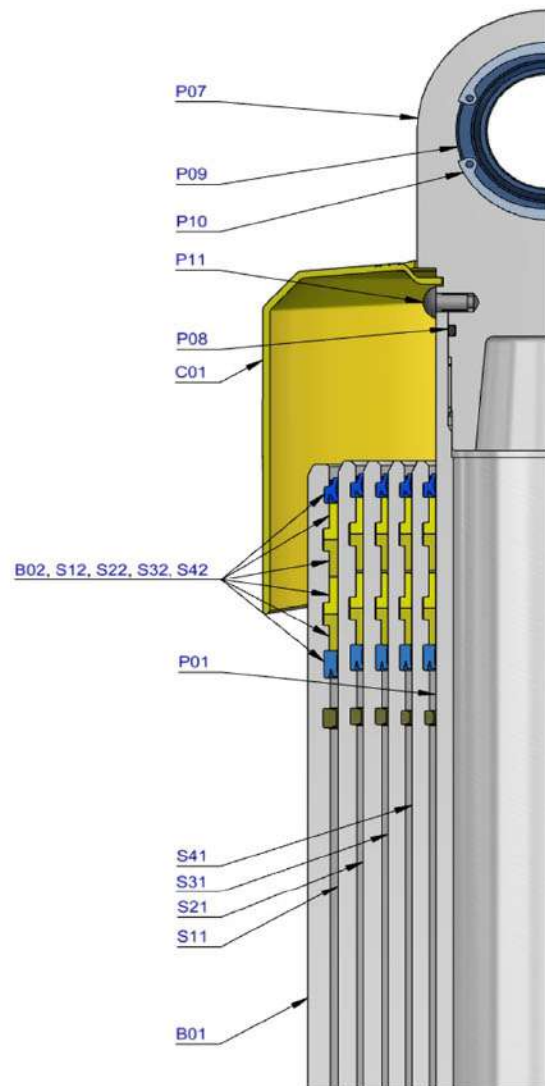
HYDRAULIC PARTS & EQUIPMENT

Гр. София, ул. Челопешко шосе 10-12
0886 441 442 / 0898 447 449
www.hydraulicstore.eu

S41	74603440	STAGE FL2 110-1440	1
S42	71802110 K	PACKSET FL 110	1
S43	71853110 K	SLIDER FL 110 (2 X 1/2) A22	1
S44	71851110 K	OUTER STOPRING FL 110 A22	1
S45	71852110 K	LIFTRING FL 110 A22	1
S31	74604440	STAGE FL2 129-1440	1
S32	71802129 K	PACKSET FL 129/HP 129	1
S33	71853129 K	SLIDER FL 129 (2 X 1/2) A22	1
S34	71851129 K	OUTER STOPRING FL 129 A22	1
S35	71852129 K	LIFTRING FL 129 A22	1
S21	74605440	STAGE FL2 149-1440	1
S22	71802149 K	PACKSET FL 149/HP 150	1
S23	71807151 K	SLIDER FL 149 A35	1
S24	71851149 K	OUTER STOPRING FL 149 A22	1
S25	71852149 K	LIFTRING FL 149 A22	1
S11	74606440	STAGE FL2 169-1440	1
S12	71802169 K	PACKSET FL 169	1
S13	71807171 K	SLIDER FL 169 A35	1
S14	71851169 K	OUTER STOPRING FL 169 A22	1
S15	71813169 K	LIFTRING FL 169x5	1
B01	74507444	BASE FL2 191-1483-4/4BSAE-290	1
B02	71802191 K	PACKSET FL 191	1
B03	71825430	BOTTOM PLATE FL2 191	1
B04	71870040 K	SEAL BOTTOM PLATE FL 191	1
B05	71820195	LOCKING PLATE FL2 191	3
B06	01732055 K	BOLT HEX M8X20X1.25 SET 6PCS	1
B07	01732559 K	WASHER SPRING M8 SET 6PCS	1

Seal kit complete

	71908650 K	Consists of all packsets with packset grease and O-rings	
--	------------	--	--



Notes

The inner, outer stoprings and liftrings are pre-mounted in the grooves on spare stages and pistons. Therefore, when ordering new tubes, it is not required to order stoprings separately.