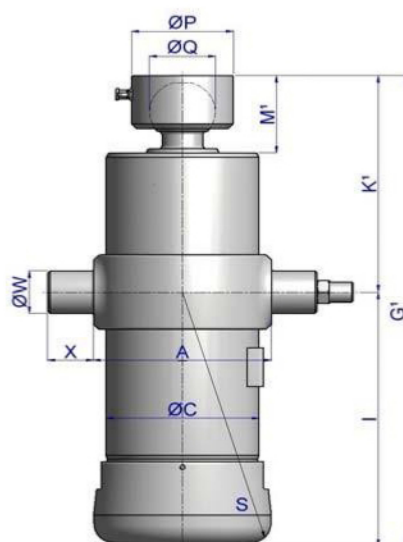




Part no.	Description	Pressure (bar)	Tipping weight (ton)	Weight (kg.)	Volume (l)	Max thrust 1 <sup>st</sup> stage (ton)	G (mm)	I (mm)	K (mm)	S (mm)
71406681	UMB 169-6-2380-K245-50- <sup>3</sup> / <sub>4</sub> "-HC	220	13-25	104	31.4	20	626	381	245	393



HYDRAULIC PARTS & EQUIPMENT

Този продукт се предлага от:

Гр. София, ул. Челопешко шосе 10-12  
0886 441 442 / 0898 447 449  
www.hydraulicstore.eu