

# HYVA CYLINDER

714 07 909



type: UMB 191-5-3180-K270-60-3/4"-HC

tipping weight: 29-40 ton

page # 1 / 2

Stage diameters	front view cylinder		A	245
191			ØC	215
169			G <sup>1</sup>	889
149			I	619
129			K <sup>1</sup>	270
110			M <sup>1</sup>	106
			ØP	110
			ØQ	75
			S	628
			ØW	60
			X	45

<sup>1</sup>including 20 mm pull-out [tol. -5; +30 mm]

<sup>2</sup>cylinder is delivered including oil inlet swivel adapter and cup

## specifications

total stroke <sup>1</sup>	3180 mm
dry weight cylinder only	165 kg
total volume	62.3 L
working volume	57.9 L
maximum pressure	220 bar
maximum pump flow	143 l/min
maximum allowable thrust first stage <sup>3</sup>	32.0 ton
oil inlet	3/4" BSP

## technical notes

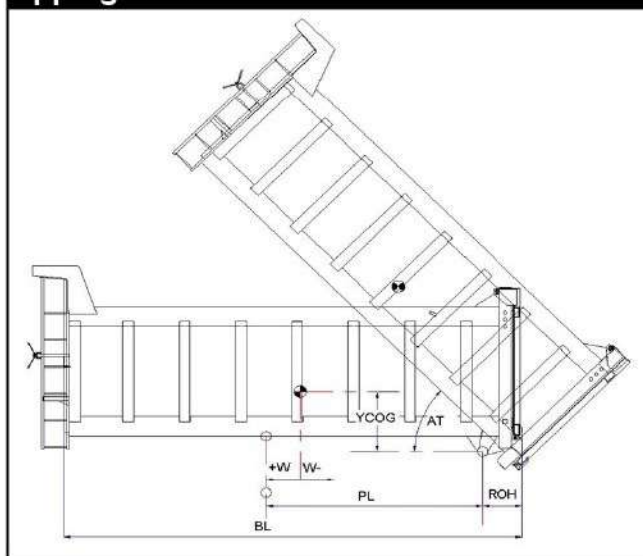
This cylinder is a lifting device only and may not be used as a structural member or be subjected to side load. Sideload and/or poor alignment might result in cylinder leakage. Hyva therefore strongly recommends the use of a cradle, even in instances where the cylinder only tips to the rear or to the side. The cylinder is painted black RAL9005.

For suitable hydraulic oils, please refer to data sheet OIL-0011. For details of available brackets and cradles, please refer data sheet 015BRA06.

Detailed calculations can be made using the HYVA Tipper Program, freely available from [tipper.hyva.com](http://tipper.hyva.com).

<sup>3</sup>The cylinder thrust on the first stage (from the HYVA Tipper Program) must not exceed the maximum allowable (see specifications above).

## tipping view



## tipping weight

PL	4150	mm	3670				
YCOG	700	mm	700				
ROH	700	mm	700				
BL	9700	8820	8080	mm	8740	7950	7280
CYL w.r.t. COG (W)	0	440	810	mm	0	400	730
Tipping weight for full stroke of 46°				Tipping weight for full stroke of 52°			
Tipping weight	29	33	37	ton	31	36	40
Tipping weight for second last stage, up to 37°				Tipping weight for 2nd last stage, up to 42°			
Tipping weight	32	36	40	ton	32	36	40

Този продукт се предлага от:



Гр. София, ул. Челопешко шосе 10-12  
0886 441 442 / 0898 447 449  
[www.hydraulicstore.eu](http://www.hydraulicstore.eu)

HYDRAULIC PARTS & EQUIPMENT

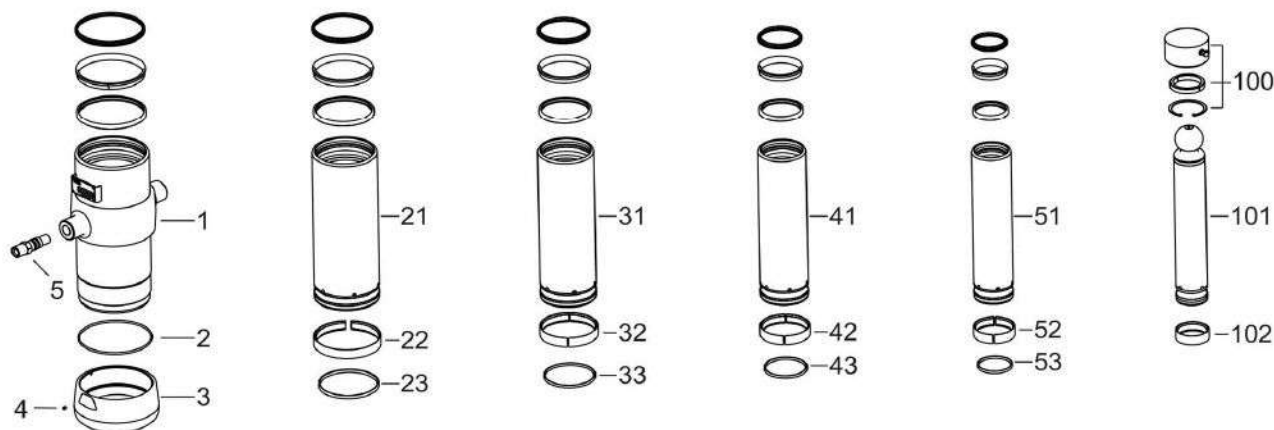
# HYVA CYLINDER

714 07 909

type

UMB 191-5-3180-K270-60-3/4"-HC

page # 2 / 2



## Spare part list

Pos	Part no.	Description	Qty.
1	73508904	BASE 214-0752-N0164	1
2	01226840	O-RING 208 X 4 70 SHORE	1
3	73101060	THREADED BOTTOM UM 214	1
4	01792571	LOCKING SCREW M6X12 INT. HEX. DIN 916	1
5	73103002	OIL INLET ADAPTOR UM 3/4"OT+O-RING	1
21	73607901	STAGE 191-0752-HC	1
22	71807191 K	SLIDER FL 191	1
23	71813191 K	LIFTRING FL 191x5	1
31	73606901	STAGE 169-0752-HC	1
32	71807169 K	SLIDER FL 169	1
33	71813169 K	LIFTRING FL 169x5	1
41	73605901	STAGE 149-0752-HC	1
42	71807149 K	SLIDER FL 149	1
43	71812149 K	LIFTRING FL 149/HP 150	1
51	73604901	STAGE 129-0752-HC	1
52	71807129 K	SLIDER FL 129/GF 129 (2 X 1/2)	1
53	71812129 K	LIFTRING FL 129/HP 129	1

## Spare part list

Pos	Part no.	Description	Qty.
100	01745103	RETAINER KIT UMB D.75	1
101	73403901	PISTON B 110-0794-HC	1
102	71807110 K	SLIDER FL 110/GF 110 (2 X 1/2)	1

## Seal kit complete

Part no.	Description
719 04 751K	Complete packset: Consists of all packsets with packset grease and o-ring.

Този продукт се предлага от:



HYDRAULIC PARTS & EQUIPMENT

Гр. София, ул. Челопешко шосе 10-12

0886 441 442 / 0898 447 449

www.hydraulicstore.eu