

HYVA BRACKETS AND CRADLES



UM BRACKETS AND CRADLES

Hyva

type :

UM Brackets and cradles

note :

Please verify quoted dimensions with your local Hyva subsidiary or agent prior to use

page # 1 / 2

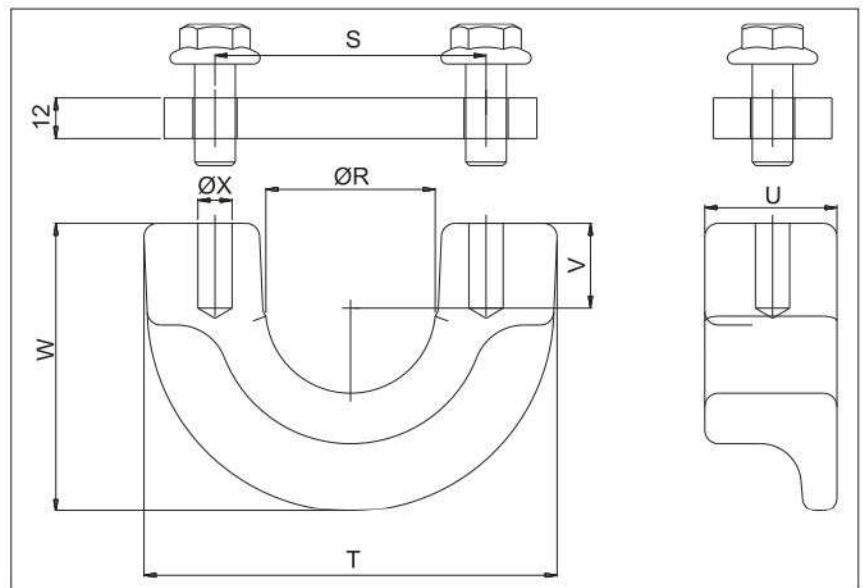
Weldable Brackets for cradles

| Part No. | Description | For Cradle | ØR (mm) | S (mm) | T (mm) | U (mm) | V (mm) | W (mm) | ØX | Weight (kg) |
|----------|------------------------|------------|---------|--------|--------|--------|--------|--------|-----|-------------|
| 73105035 | Bracket to weld UM D50 | 129-169 | 50 | 80 | 122 | 39 | 20 | 85 | M12 | 1.5 |
| 73105036 | Bracket to weld UM D60 | 191 | 60 | 90 | 122 | 39 | 25 | 90 | M12 | 2.1 |

These brackets are welded hinges. They are used to mount a cradle to the chassis.

Included are:

Bracket; closing plate and fasteners.



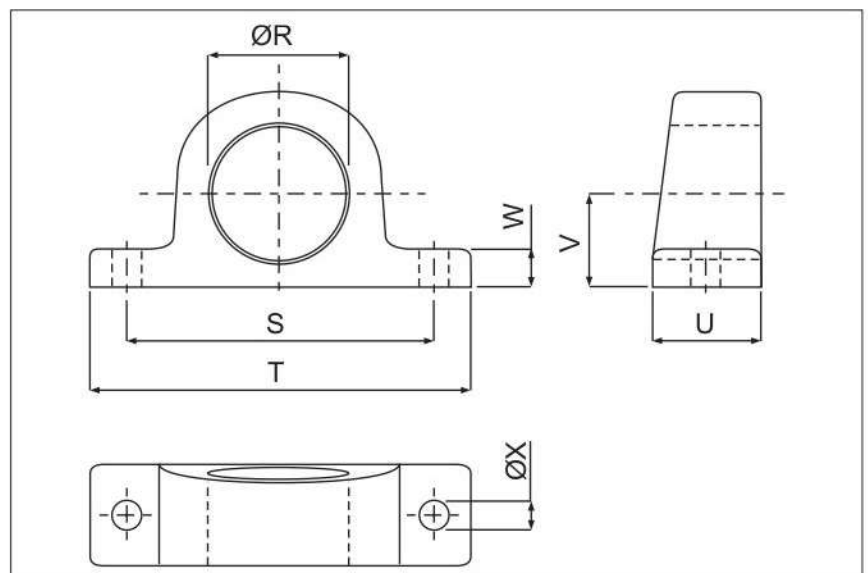
Boltable Brackets for cradles and cylinders

| Part No. | Description | For Cradle | For Cylinder | ØR (mm) | S (mm) | T (mm) | U (mm) | V (mm) | W (mm) | ØX (mm) | Weight (kg) |
|----------|------------------------|------------|--------------|---------|--------|--------|--------|--------|--------|---------|-------------|
| 73105073 | Bracket UM to bolt D45 | none | 129 | 45.5 | 105 | 140 | 45 | 33 | 15 | 15 | 1.0 |
| 73105076 | Bracket UM to bolt D50 | 129-169 | 149-169 | 50.5 | 120 | 155 | 50 | 37 | 17 | 15 | 1.4 |
| 73105079 | Bracket UM to bolt D60 | 191 | 191 | 60.5 | 130 | 165 | 50 | 42 | 17 | 15 | 1.6 |

These brackets are bolted hinges. They can be used to mount the cradle to the chassis or to mount the cylinder directly in the chassis. (This is not recommended by Hyva, it will reduce the seal life).

Remarks:

This bracket is ordered a piece. The fasteners are not included.



Този продукт се предлага от:



HYDRAULIC PARTS & EQUIPMENT

Гр. София, ул. Челопешко шосе 10-12
0886 441 442 / 0898 447 449
www.hydraulicstore.eu

HYVA BRACKETS AND CRADLES



UM BRACKETS AND CRADLES

Hyva type : UM Brackets and cradles
 note : Please verify quoted dimensions with your local Hyva subsidiary or agent prior to use

page # 2 / 2

UM Cradle with knock off and brackets

| Part No. | Description | G (mm) | H (mm) | J (mm) | K (mm) | L (mm) | ØM (mm) | N (mm) | O (mm) | ØP (mm) | Q (°) | T (mm) | Z (mm) | Weight (kg) |
|----------|------------------------------|--------|--------|--------|--------|--------|---------|--------|--------|---------|-------|--------|--------|-------------|
| 73104023 | Cradle UM 129-KOPN-PIN50-D50 | 240 | 137 | 280 | 180 | 135 | 45 | 35 | 39 | 50 | 60 | 122 | 360 | 12.8 |
| 73104033 | Cradle UM 149-KOPN-PIN50-D50 | 310 | 137 | 330 | 210 | 152 | 50 | 37 | 39 | 50 | 60 | 122 | 410 | 26.7 |
| 73104043 | Cradle UM 169-KOPN-PIN50-D50 | 320 | 137 | 380 | 235 | 162 | 50 | 37 | 39 | 50 | 60 | 122 | 460 | 33.0 |
| 73104053 | Cradle UM 191-KOPN-PIN60-D60 | 340 | 147 | 400 | 250 | 190 | 60 | 45 | 39 | 60 | 60 | 122 | 480 | 45.6 |

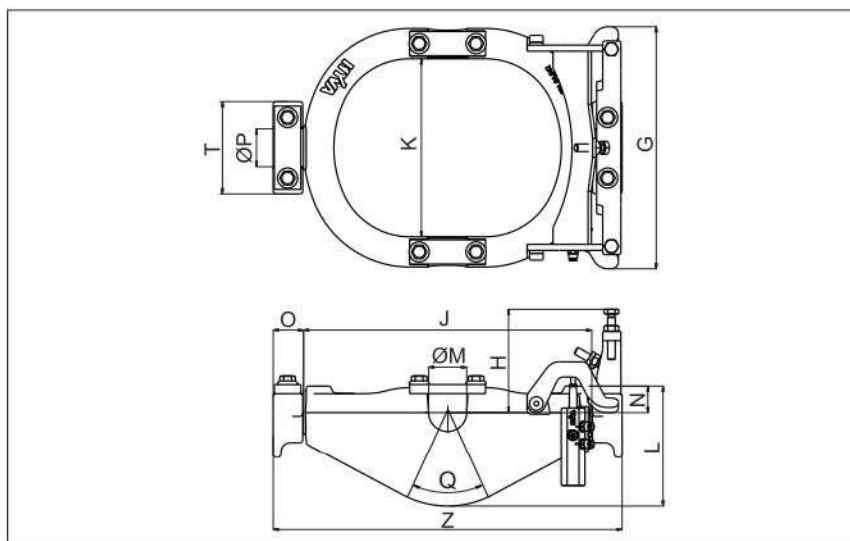
These Cradles are used for 3-way tipping applications and are strongly recommended for 1- and 2-way tippers to increase the seal life of the cylinder.

Included are:

Cradle; knock off; closing plates; welded brackets and fasteners.

Remarks:

These cradles cannot be combined with the bolted brackets.



UM Cradles without knock off

| Part No. | Description | J (mm) | K (mm) | L (mm) | ØM (mm) | N (mm) | O (mm) | ØP (mm) | Q (°) | Weight (kg) |
|----------|-------------------------|--------|--------|--------|---------|--------|--------|---------|-------|-------------|
| 73104021 | Cradle UM 129-PIN50-D45 | 280 | 180 | 135 | 45 | 35 | 39 | 50 | 60 | 13.8 |
| 73104031 | Cradle UM 149-PIN50-D50 | 330 | 210 | 152 | 50 | 37 | 39 | 50 | 60 | 20.4 |
| 73104041 | Cradle UM 169-PIN50-D50 | 380 | 235 | 162 | 50 | 37 | 39 | 50 | 60 | 26.5 |
| 73104051 | Cradle UM 191-PIN60-D60 | 400 | 250 | 190 | 60 | 45 | 39 | 60 | 60 | 38.9 |

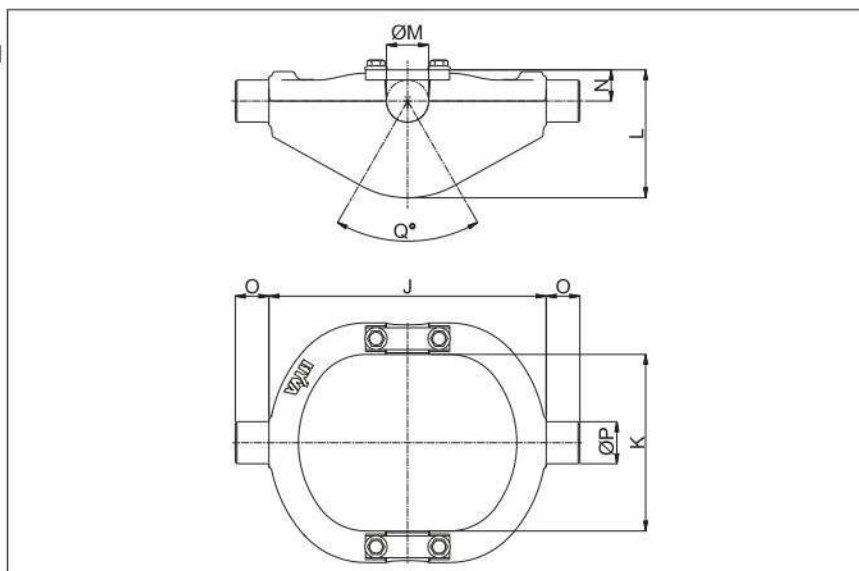
These Cradles are used for 3-way tipping applications and are strongly recommended for 1- and 2-way tippers to increase the seal life of the cylinder.

Included are:

Cradle; closing plates and fasteners.

Remarks:

The brackets (weldable or boltable) need to be ordered separately.



Този продукт се предлага от:



HYDRAULIC PARTS & EQUIPMENT

Гр. София, ул. Челопешко шосе 10-12
 0886 441 442 / 0898 447 449
www.hydraulicstore.eu